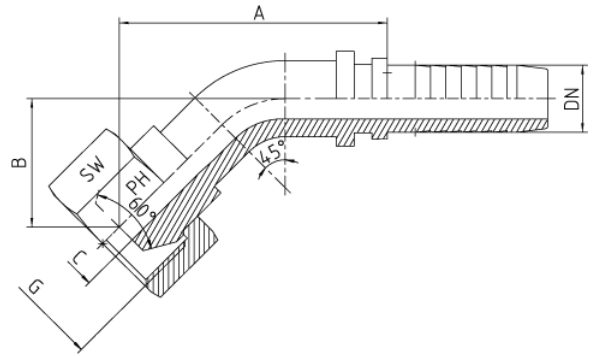


Rubrik 2.30

BSP - 60° - 45°-Elbow



With BSP Union Nut

To Interface with 60°-Cone DKR - 45°-Elbow

Hose	Bore	Thread	Approx. Dimensions				Order-Code
DN	in.	G	A	B	C	SW	
05	3/16"	1/8"-28	37,0	16,0	3,0	14	DKR-1/8"-45°-DN 05
06	1/4"	1/8"-28	39,0	16,0	4,0	14	DKR-1/8"-45°-DN 06
05	3/16"	1/4"-19	36,5	15,0	3,0	17	DKR-1/4"-45°-DN 05
06	1/4"	1/4"-19	36,5	15,0	4,0	17	DKR-1/4"-45°-DN 06
08	5/16"	1/4"-19	47,0	20,0	5,5	19	DKR-1/4"-45°-DN 08
10	3/8"	1/4"-19	44,0	22,5	6,0	19	DKR-1/4"-45°-DN 10
06	1/4"	3/8"-19	34,0	16,0	4,0	19	DKR-3/8"-45°-DN 06
08	5/16"	3/8"-19	40,0	15,0	5,5	19	DKR-3/8"-45°-DN 08
10	3/8"	3/8"-19	40,0	15,0	7,0	19	DKR-3/8"-45°-DN 10
12	1/2"	3/8"-19	58,5	25,5	9,5	22	DKR-3/8"-45°-DN 12
06	1/4"	1/2"-14			4,0	27	DKR-1/2"-45°-DN 06
10	3/8"	1/2"-14	54,0	20,5	7,0	27	DKR-1/2"-45°-DN 10
12	1/2"	1/2"-14	54,0	20,5	9,5	27	DKR-1/2"-45°-DN 12
16	5/8"	1/2"-14	64,0	27,0	12,5	27	DKR-1/2"-45°-DN 16
12	1/2"	5/8"-14	64,5	29,0	9,5	27	DKR-5/8"-45°-DN 12
16	5/8"	5/8"-14	68,0	28,0	12,5	27	DKR-5/8"-45°-DN 16
12	1/2"	3/4"-14	60,0	23,0	9,0	32	DKR-3/4"-45°-DN 12
16	5/8"	3/4"-14	63,5	28,0	12,5	32	DKR-3/4"-45°-DN 16
19	3/4"	3/4"-14	70,0	30,0	14,5	32	DKR-3/4"-45°-DN 19

19	3/4"	1"-11	77,0	26,0	14,5	41	DKR-1"-45°-DN 19
25	1"	1"-11	95,0	39,5	20,0	41	DKR-1"-45°-DN 25
25	1"	1 1/4"-11	94,0	40,0	20,0	50	DKR-1 1/4"-45°-DN 25
31	1 1/4"	1 1/4"-11	100,0	40,0	25,0	50	DKR-1 1/4"-45°-DN 31
31	1 1/4"	1 1/2"-11	145,0	53,0	25,0	55	DKR-1 1/2"-45°-DN 31
38	1 1/2"	1 1/2"-11	115,0	55,0	31,0	55	DKR-1 1/2"-45°-DN 38
51	2"	2"-11	149,0	57,0	40,0	70	DKR-2"-45°-DN 51