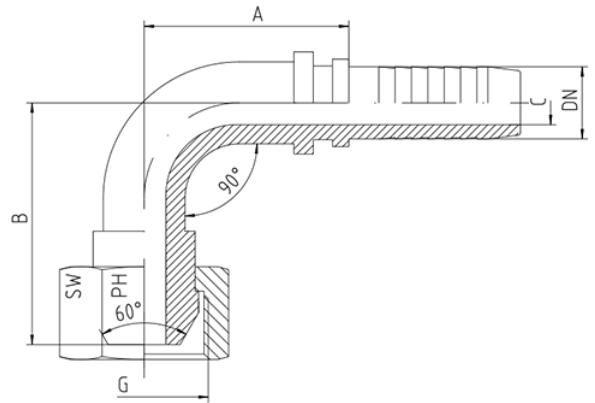


## Rubrik 2.29

### BSP - 60° - 90°-Elbow



With BSP Union Nut  
 To Interface with 60°-Cone DKR - 90°-Elbow

Hose	Bore	Thread	Approx. Dimensions				Order-Code
DN	in.	G	A	B	C	SW	
05	3/16"	1/8"-28	28,0	29,0	3,0	14	DKR-1/8"-90°-DN 05
06	1/4"	1/8"-28	28,5	30,0	4,0	14	DKR-1/8"-90°-DN 06
05	3/16"	1/4"-19	29,0	27,5	3,0	17	DKR-1/4"-90°-DN 05
06	1/4"	1/4"-19	28,5	28,0	4,0	17	DKR-1/4"-90°-DN 06
08	5/16"	1/4"-19	36,0	36,0	5,5	19	DKR-1/4"-90°-DN 08
10	3/8"	1/4"-19	34,0	39,0	6,0	19	DKR-1/4"-90°-DN 10
06	1/4"	3/8"-19	29,0	26,0	4,0	19	DKR-3/8"-90°-DN 06
08	5/16"	3/8"-19	33,0	34,0	5,5	19	DKR-3/8"-90°-DN 08
10	3/8"	3/8"-19	33,0	34,0	7,0	19	DKR-3/8"-90°-DN 10
12	1/2"	3/8"-19	44,0	47,5	9,0	22	DKR-3/8"-90°-DN 12
06	1/4"	1/2"-14	42,0	37,0	4,0	27	DKR-1/2"-90°-DN 06
10	3/8"	1/2"-14	44,0	42,5	7,0	27	DKR-1/2"-90°-DN 10
12	1/2"	1/2"-14	44,0	42,5	9,5	27	DKR-1/2"-90°-DN 12
16	5/8"	1/2"-14	58,0	53,0	12,5	27	DKR-1/2"-90°-DN 16
12	1/2"	5/8"-14	44,0	50,5	9,5	27	DKR-5/8"-90°-DN 12
16	5/8"	5/8"-14	55,0	54,0	12,5	27	DKR-5/8"-90°-DN 16
12	1/2"	3/4"-14	47,5	43,0	9,5	32	DKR-3/4"-90°-DN 12
16	5/8"	3/4"-14	56,0	54,0	12,5	32	DKR-3/4"-90°-DN 16
19	3/4"	3/4"-14	61,0	54,0	14,5	32	DKR-3/4"-90°-DN 19

19	3/4"	1"-11	78,0	69,0	14,5	41	DKR-1"-90°-DN 19
25	1"	1"-11	78,0	69,0	20,0	41	DKR-1"-90°-DN 25
25	1"	1 1/4"-11	82,0	81,0	20,0	50	DKR-1 1/4"-90°-DN 25
31	1 1/4"	1 1/4"-11	87,0	81,0	25,0	50	DKR-1 1/4"-90°-DN 31
31	1 1/4"	1 1/2"-11	125,0	103,0	25,0	55	DKR-1 1/2"-90°-DN 31
38	1 1/2"	1 1/2"-11	104,0	102,0	31,0	55	DKR-1 1/2"-90°-DN 38
51	2"	2"-11	142,0	130,0	40,0	70	DKR-2"-90°-DN 51