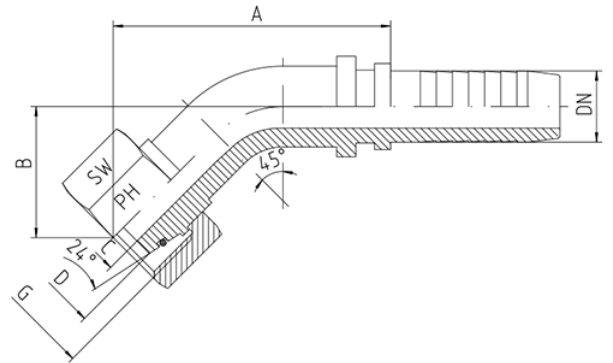
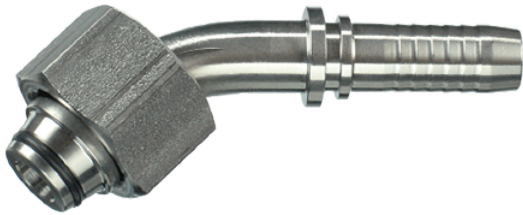


## Rubrik 2.22

### Heavy Series - 45°-Elbow



To Interface with 24°-Cone fittings DIN 2353 / DIN EN ISO 8434-1 Heavy Series = DKOS - 45° O-ring = NBR On Request: FKM

Hose	Bore	Thread	Tube O.D.	Approx. Dimensions				O-ring	Order-Code
DN	in.	G	D	A	B	C	SW		
05	3/16"	M 14 x 1,5	6			3,0	17	4 x 1,5	DKOS-06-45°-DN 05
06	1/4"	M 14 x 1,5	6	37,0	15,0	4,0	17	5 x 1,0	DKOS-06-45°-DN 06
05	3/16"	M 16 x 1,5	8	37,0	16,5	3,0	19	6 x 1,5	DKOS-08-45°-DN 05
06	1/4"	M 16 x 1,5	8	38,5	16,5	4,0	19	6 x 1,5	DKOS-08-45°-DN 06
08	5/16"	M 16 x 1,5	8	48,0	23,0	4,0	19	6 x 1,5	DKOS-08-45°-DN 08
06	1/4"	M 18 x 1,5	10	38,5	16,5	4,0	22	8 x 1,5	DKOS-10-45°-DN 06
08	5/16"	M 18 x 1,5	10	44,5	19,0	5,5	22	8 x 1,5	DKOS-10-45°-DN 08
10	3/8"	M 18 x 1,5	10	45,5	20,0	7,0	22	8 x 1,5	DKOS-10-45°-DN 10
06	1/4"	M 20 x 1,5	12	42,0	19,5	4,0	24	10 x 1,5	DKOS-12-45°-DN 06
08	5/16"	M 20 x 1,5	12	44,5	19,0	5,5	24	10 x 1,5	DKOS-12-45°-DN 08
10	3/8"	M 20 x 1,5	12	43,5	18,5	7,0	24	10 x 1,5	DKOS-12-45°-DN 10
12	1/2"	M 20 x 1,5	12	62,5	27,5	8,5	24	10 x 1,5	DKOS-12-45°-DN 12
10	3/8"	M 22 x 1,5	14	54,5	23,5	7,0	27	10 x 2,0	DKOS-14-45°-DN 10
10	3/8"	M 24 x 1,5	16	55,5	24,0	7,0	30	13 x 2,0	DKOS-16-45°-DN 10
12	1/2"	M 24 x 1,5	16	57,0	25,0	9,5	30	13 x 2,0	DKOS-16-45°-DN 12
12	1/2"	M 30 x 2	20	65,0	32,0	9,5	36	16,3 x 2,4	DKOS-20-45°-DN 12
16	5/8"	M 30 x 2	20	69,0	28,0	12,5	36	16,3 x 2,4	DKOS-20-45°-DN 16
19	3/4"	M 30 x 2	20	71,5	27,0	12,5	36	16,3 x 2,4	DKOS-20-45°-DN 19
19	3/4"	M 36 x 2	25	83,0	37,0	14,5	46	21,3 x 2,4	DKOS-25-45°-DN 19
25	1"	M 36 x 2	25	98,0	39,0	18,5	46	21,3 x 2,4	DKOS-25-45°-DN 25

19	3/4"	M 42 x 2	30	89,5	40,0	14,5	50	25,3 x 2,4	DKOS-30-45°-DN 19
25	1"	M 42 x 2	30	98,0	39,5	20,0	50	25,3 x 2,4	DKOS-30-45°-DN 25
25	1"	M 52 x 2	38				60	35 x 2,5	DKOS-38-45°-DN 25
31	1 1/4"	M 52 x 2	38	116,0	47,0	25,0	60	35 x 2,5	DKOS-38-45°-DN 31
38	1 1/2"	M 68 x 2	50	137,0	53,0	31,0	80	46 x 3,0	DKOS-50-45°-DN 38