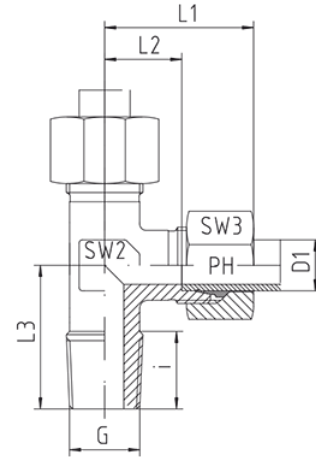
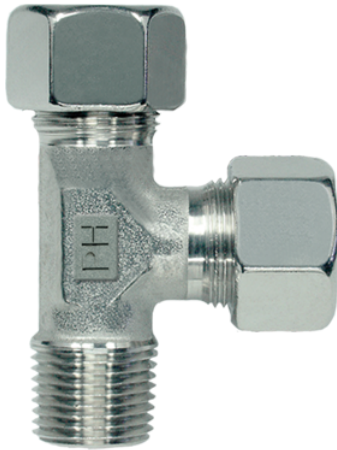


Rubrik 8.135

BSP - Taper - Standard



Stud Barrel Tees LL-, L- and S-Series Thread: BSP - Taper ** The pressure rates are only valid, if the female parts are with tapered threads, too.

Pressure	Tube O.D.	Thread	Approx. Dimensions						Order-Code	
PN	D1	G	L1	L2	L3	i	SW2	SW3		

Series LL

100	4	R 1/8" keg	21	11,0	17	8	9	10	LE-LL-04-R 1/8"-k
100	6	R 1/8" keg	21	9,5	17	8	9	12	LE-LL-06-R 1/8"-k
100	8	R 1/8" keg	23	11,5	20	8	12	14	LE-LL-08-R 1/8"-k

Series L

315	6	R 1/8" keg	27	12,0	20	8	12	14	LE-L-06-R 1/8"-k
315	6	R 1/4" keg	27	12,0	26	12	12	14	LE-L-06-R 1/4"-k
315	8	R 1/4" keg	29	14,0	26	12	12	17	LE-L-08-R 1/4"-k
315	8	R 3/8" keg	32	15,0	28	12	14	17	LE-L-08-R 3/8"-k
315	10	R 1/8" keg				8	14	19	LE-L-10-R 1/8"-k
315	10	R 1/4" keg	30	15,0	27	12	14	19	LE-L-10-R 1/4"-k
315	10	R 3/8" keg	30	15,0	28	12	14	19	LE-L-10-R 3/8"-k
315	10	R 1/2" keg				14	17	19	LE-L-10-R 1/2"-k
315	12	R 1/4" keg	32	17,5	28	12	17	22	LE-L-12-R 1/4"-k
315	12	R 3/8" keg	32	17,5	28	12	17	22	LE-L-12-R 3/8"-k
315	12	R 1/2" keg				14	17	22	LE-L-12-R 1/2"-k
315	15	R 3/8" keg	36	21,0	32	12	19	27	LE-L-15-R 3/8"-k
315	15	R 1/2" keg	36	21,0	34	14	19	27	LE-L-15-R 1/2"-k

315	18	R 1/2" keg	40	23,5	36	14	24	32	LE-L-18-R 1/2"-k
-----	----	------------	----	------	----	----	----	----	------------------

Series S

630 **	6	R 1/4" keg	31	16,5	26	12	12	17	LE-S-06-R 1/4"-k
630 **	8	R 1/4" keg	32	17,0	27	12	14	19	LE-S-08-R 1/4"-k
630 **	10	R 3/8" keg	34	17,5	28	12	17	22	LE-S-10-R 3/8"-k
630 **	12	R 3/8" keg	38	21,5	28	12	17	24	LE-S-12-R 3/8"-k
630 **	12	R 1/2" keg	38	21,5	33	14	19	24	LE-S-12-R 1/2"-k
630 **	14	R 1/2" keg	40	22,0	32	14	19	27	LE-S-14-R 1/2"-k
400 **	16	R 1/2" keg	43	24,5	32	14	24	30	LE-S-16-R 1/2"-k