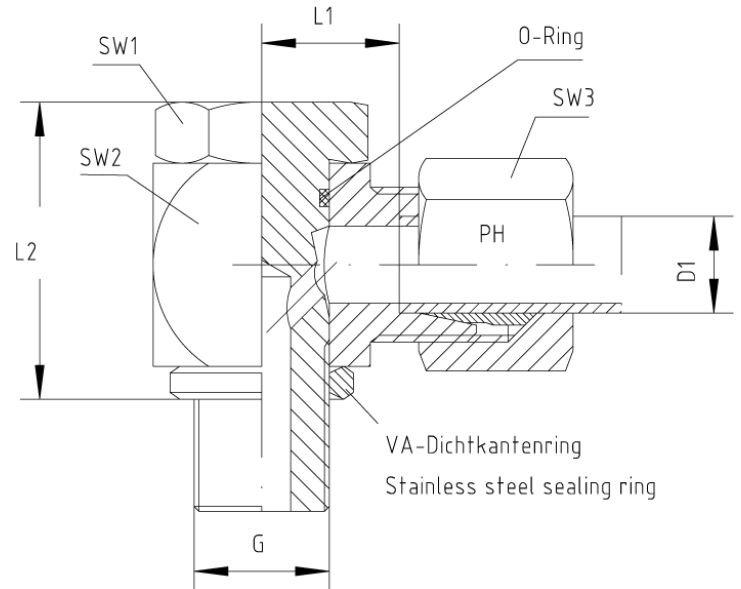
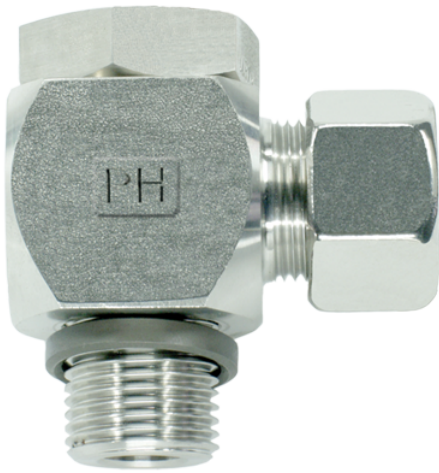


## Rubrik 8.183

### BSP - Parallel - Standard



Banjo Elbows With Stainless Steel Sealing Ring for DIN 3852 (small) Banjo Bolt must be greased prior to assembly (see General Information Category 1) Thread G: BSP - Parallel  
 O-Ring: FPM

Pressure	Tube O.D.	Thread	Approx. Dimensions					Order-Code
PN	D1	G	L1	L2	SW1	SW2	SW3	
<b>Series LL</b>								
100	4	G 1/8"	11,0	24	17	18	10	WHV-LL-04-G 1/8"
100	6	G 1/8"	11,5	24	17	18	12	WHV-LL-06-G 1/8"
100	8	G 1/8"	12,5	24	17	18	14	WHV-LL-08-G 1/8"
<b>Series L</b>								
500	6	G 1/8"	12,0	24	17	18	14	WHV-L-06-G 1/8"
400	8	G 1/4"	15,5	30	19	22	17	WHV-L-08-G 1/4"
350	10	G 1/4"	15,5	30	19	22	19	WHV-L-10-G 1/4"
350	10	G 3/8"	17,5	35	24	27	19	WHV-L-10-G 3/8"
350	12	G 1/4"	15,5	30	19	22	22	WHV-L-12-G 1/4"
350	12	G 3/8"	18,0	36	24	27	22	WHV-L-12-G 3/8"
315	12	G 1/2"	21,5	45	30	32	22	WHV-L-12-G 1/2"
315	15	G 1/2"	21,5	45	30	32	27	WHV-L-15-G 1/2"
315	18	G 1/2"	21,0	45	30	32	32	WHV-L-18-G 1/2"
200	22	G 3/4"	27,5	53	36	40	36	WHV-L-22-G 3/4"
200	28	G 1"	32,0	66	46	50	41	WHV-L-28-G 1"

200	35	G 1 1/4"	36,0	76	55	60	50	WHV-L-35-G 1 1/4"
200	42	G 1 1/2"	40,5	87	60	70	60	WHV-L-42-G 1 1/2"

**Series S**

500	6	G 1/4"	16,5	30	19	22	17	WHV-S-06-G 1/4"
450	8	G 1/4"	16,5	30	19	22	19	WHV-S-08-G 1/4"
400	10	G 1/4"	16,5	30	19	22	22	WHV-S-10-G 1/4"
400	10	G 3/8"	18,5	36	24	27	22	WHV-S-10-G 3/8"
400	12	G 3/8"	18,5	36	24	27	24	WHV-S-12-G 3/8"
400	14	G 1/2"	22,5	45	30	32	27	WHV-S-14-G 1/2"
400	16	G 1/2"	22,0	45	30	32	30	WHV-S-16-G 1/2"
400	20	G 3/4"	26,5	53	36	40	36	WHV-S-20-G 3/4"
250	25	G 1"	31,5	66	46	50	46	WHV-S-25-G 1"
250	30	G 1 1/4"	37,0	76	55	60	50	WHV-S-30-G 1 1/4"
250	38	G 1 1/2"	41,5	87	60	70	60	WHV-S-38-G 1 1/2"