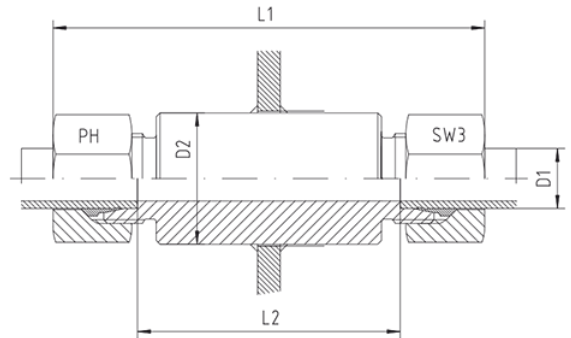


Rubrik 10.4

ESV - Bulkhead Couplings - Standard



Welding Bulkhead Connections

Pressure	Tube O.D.		Approx. Dimensions			Order-Code
PN	D1	D2	L1	L2	SW3	

Series L

500	6	18	85,0	56,0	14	ESV-L-06
500	8	20	85,0	56,0	17	ESV-L-08
500	10	22	87,0	58,0	19	ESV-L-10
400	12	25	87,0	58,0	22	ESV-L-12
400	15	28	100,0	70,0	27	ESV-L-15
400	18	32	101,0	69,0	32	ESV-L-18
250	22	36	105,0	73,0	36	ESV-L-22
250	28	40	106,0	73,0	41	ESV-L-28
250	35	50	114,0	71,0	50	ESV-L-35
250	42	60	115,0	70,0	60	ESV-L-42

Series S

800	6	20	89,0	60,0	17	ESV-S-06
800	8	22	89,0	60,0	19	ESV-S-08
800	10	25	91,0	59,0	22	ESV-S-10
630	12	28	91,0	59,0	24	ESV-S-12
630	14	30	107,0	72,0	27	ESV-S-14
630	16	35	107,0	71,0	30	ESV-S-16

420	20	38	114,0	71,0	36	ESV-S-20
420	25	45	120,0	72,0	46	ESV-S-25
420	30	50	126,0	73,0	50	ESV-S-30
420	38	60	133,0	72,0	60	ESV-S-38