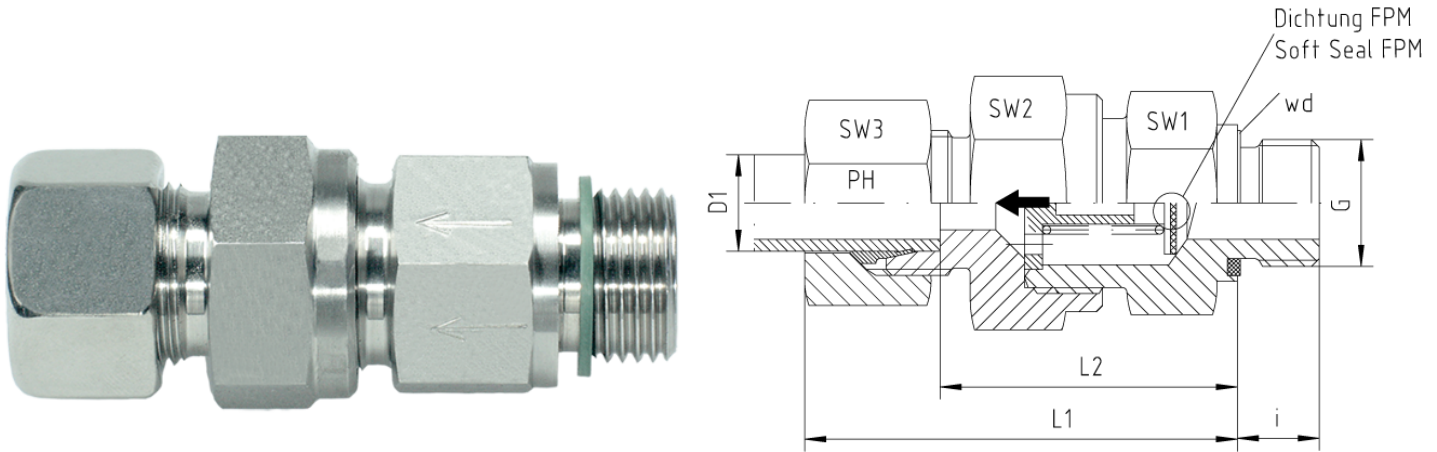


Rubrik 8.248

BSP - Parallel - Standard



Thread G: BSP - Parallel Screwed Plug with Captive Seal - FKM Flow from Screwed Plug

Pressure	Tube O.D.	Thread	Approx. Dimensions						Order-Code
PB	D1	G	L1	L2	i	SW1	SW2	SW3	

Series L

250	6	G 1/8"	43	28,0	8	17	17	14	RV-L-06-G 1/8"-wd
250	8	G 1/4"	45	30,0	12	19	19	17	RV-L-08-G 1/4"-wd
250	10	G 1/4"	53	38,5	12	22	24	19	RV-L-10-G 1/4"-wd
250	12	G 3/8"	57	42,5	12	27	30	22	RV-L-12-G 3/8"-wd
250	15	G 1/2"	61	45,5	14	27	30	27	RV-L-15-G 1/2"-wd
160	18	G 1/2"	66	50,0	14	36	36	32	RV-L-18-G 1/2"-wd
160	22	G 3/4"	71	55,0	16	41	46	36	RV-L-22-G 3/4"-wd
100	28	G 1"	80	63,0	18	50	55	41	RV-L-28-G 1"-wd
100	35	G 1 1/4"	91	69,0	20	60	60	50	RV-L-35-G 1 1/4"-wd
100	42	G 1 1/2"	104	71,5	22	65	70	60	RV-L-42-G 1 1/2"-wd

Series S

630	6	G 1/4"	46	31,5	12	19	19	17	RV-S-06-G 1/4"-wd
630	8	G 1/4"	46	31,5	12	19	22	19	RV-S-08-G 1/4"-wd
630	10	G 3/8"	54	38,0	12	24	27	22	RV-S-10-G 3/8"-wd
630	12	G 3/8"	57	41,0	12	27	30	24	RV-S-12-G 3/8"-wd
630	14	G 1/2"	62	44,5	14	27	32	27	RV-S-14-G 1/2"-wd
400	16	G 1/2"	66	48,0	14	32	36	30	RV-S-16-G 1/2"-wd

400	20	G 3/4"	74	52,0	16	41	46	36	RV-S-20-G 3/4"-wd
400	25	G 1"	79	54,5	18	46	50	46	RV-S-25-G 1"-wd
250	30	G 1 1/4"	91	64,0	20	55	60	50	RV-S-30-G 1 1/4"-wd
250	38	G 1 1/2"	100	69,5	22	65	70	60	RV-S-38-G 1 1/2"-wd