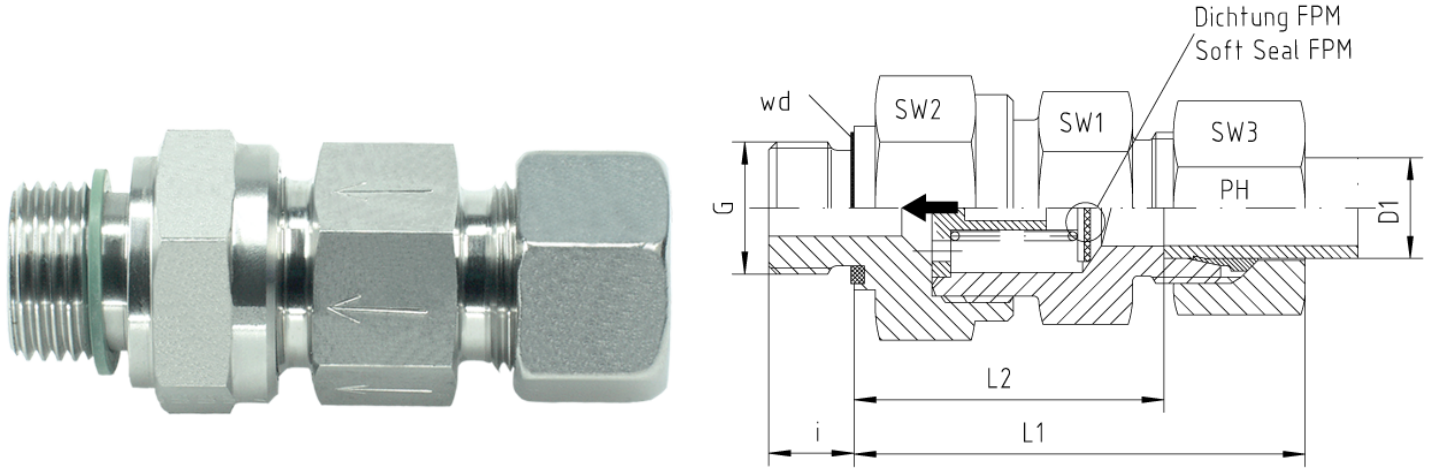


## Rubrik 8.254

### BSP - Parallel - Standard



Thread G: BSP - Parallel Screwed Plug with Captive Seal - FKM Flow towards Screwed Plug

Pressure	Tube O.D.	Thread	Approx. Dimensions						Order-Code
PB	D1	G	L1	L2	i	SW1	SW2	SW3	

#### Series L

250	6	G 1/8"	41	26,5	8	17	17	14	RZ-L-06-G 1/8"-wd
250	8	G 1/4"	43	28,5	12	19	17	17	RZ-L-08-G 1/4"-wd
250	10	G 1/4"	53	38,5	12	24	22	19	RZ-L-10-G 1/4"-wd
250	12	G 3/8"	55	40,5	12	30	27	22	RZ-L-12-G 3/8"-wd
250	15	G 1/2"	58	42,5	14	30	27	27	RZ-L-15-G 1/2"-wd
160	18	G 1/2"	64	48,0	14	36	36	32	RZ-L-18-G 1/2"-wd
160	22	G 3/4"	72	56,0	16	46	41	36	RZ-L-22-G 3/4"-wd
100	28	G 1"	81	64,0	18	55	50	41	RZ-L-28-G 1"-wd
100	35	G 1 1/4"	92	70,0	20	60	60	50	RZ-L-35-G 1 1/4"-wd
100	42	G 1 1/2"	104	71,5	22	70	65	60	RZ-L-42-G 1 1/2"-wd

#### Series S

630	6	G 1/4"	46	31,5	12	19	19	17	RZ-S-06-G 1/4"-wd
630	8	G 1/4"	46	31,5	12	22	19	19	RZ-S-08-G 1/4"-wd
630	10	G 3/8"	54	38,0	12	27	24	22	RZ-S-10-G 3/8"-wd
630	12	G 3/8"	57	41,0	12	30	27	24	RZ-S-12-G 3/8"-wd
630	14	G 1/2"	61	43,5	14	32	27	27	RZ-S-14-G 1/2"-wd
400	16	G 1/2"	64	46,0	14	36	32	30	RZ-S-16-G 1/2"-wd

400	20	G 3/4"	72	50,0	16	46	41	36	RZ-S-20-G 3/4"-wd
400	25	G 1"	79	54,5	18	50	46	46	RZ-S-25-G 1"-wd
250	30	G 1 1/4"	91	64,0	20	60	55	50	RZ-S-30-G 1 1/4"-wd
250	38	G 1 1/2"	102	71,5	22	70	65	60	RZ-S-38-G 1 1/2"-wd