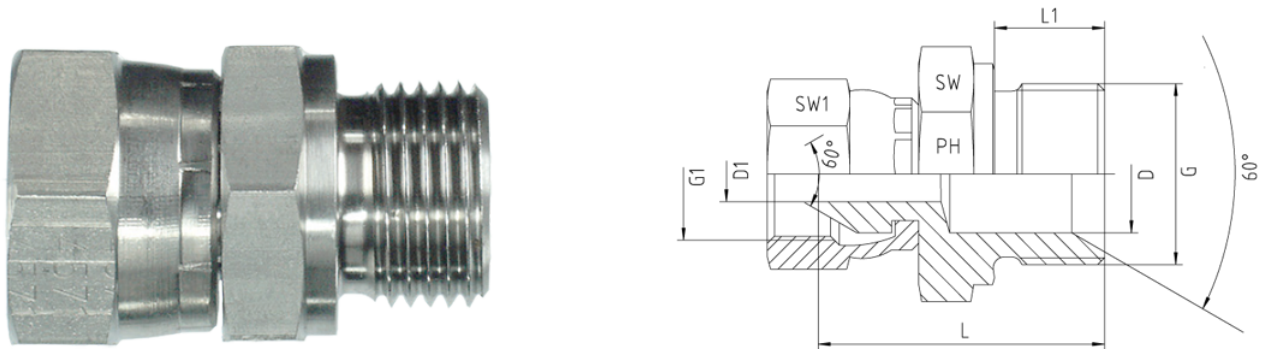


## Rubrik 5.19

### BSP - Female - BSP - Parallel



BSP - Female with Swivel Nut BSP - Male with 60°-Cone and Sealing Shoulder Form B

Pressure	Thread		Approx. Dimensions						Order-Code	
	PN	G1	G	L	L1	D	D1	SW		SW1
400		1/8"-28	1/8"-28	23,5	8	4,0	4,0	14	14	2050511-02-02
400		1/8"-28	1/4"-19	27,5	12	4,0	4,0	19	14	2050511-02-04
400		1/4"-19	1/8"-28	27,0	8	4,0	4,0	14	19	2050511-04-02
400		1/4"-19	1/4"-19	30,0	12	5,0	5,0	19	19	2050511-04-04
400		1/4"-19	3/8"-19	31,5	12	9,0	5,0	22	19	2050511-04-06
400		1/4"-19	1/2"-14	35,5	14	11,5	5,0	27	19	2050511-04-08
400		3/8"-19	1/8"-28	26,0	8	4,5	4,5	17	19	2050511-06-02
400		3/8"-19	1/4"-19	31,5	12	5,0	8,0	19	22	2050511-06-04
400		3/8"-19	3/8"-19	32,5	12	8,0	8,0	22	22	2050511-06-06
400		3/8"-19	1/2"-14	37,0	14	11,5	8,0	27	22	2050511-06-08
400		1/2"-14	1/4"-19	31,5	12	5,0	11,0	19	27	2050511-08-04
400		1/2"-14	3/8"-19	32,5	12	9,0	9,0	22	27	2050511-08-06
400		1/2"-14	1/2"-14	36,0	14	11,0	11,0	27	27	2050511-08-08
400		1/2"-14	3/4"-14	39,5	16	11,0	11,0	32	27	2050511-08-12
400		3/4"-14	1/2"-14	42,0	14	11,5	16,0	27	32	2050511-12-08
400		3/4"-14	3/4"-14	41,0	16	16,5	16,5	32	32	2050511-12-12
400		3/4"-14	1"-11	45,0	18	22,5	16,5	41	32	2050511-12-16
400		1"-11	3/4"-14	44,0	18	17,0	22,0	32	41	2050511-16-12
400		1"-11	1"-11	45,5	18	22,0	22,0	41	41	2050511-16-16
200		1"-11	1 1/4"-11	49,5	20	29,0	22,5	50	41	2050511-16-20

200	1 1/4"-11	1"-11	53,0	18	22,0	22,0	41	50	2050511-20-16
200	1 1/4"-11	1 1/4"-11	48,5	20	28,0	28,0	50	50	2050511-20-20
200	1 1/2"-11	1 1/2"-11	53,0	22	33,0	33,0	55	55	2050511-24-24
100	2"-11	2"-11	72,0	23	42,0	42,0	70	70	2050511-32-32