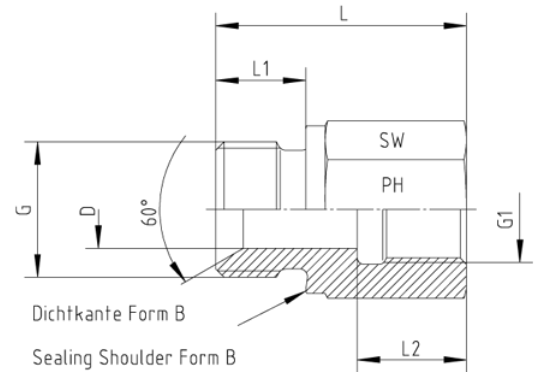
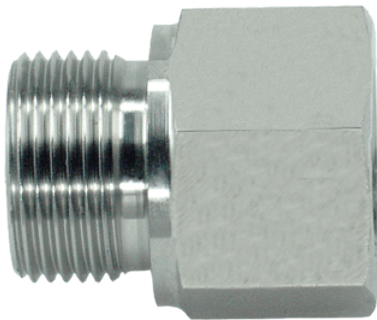


Rubrik 5.47

BSP - Male / Female - Form B



Form B With 60°-Cone at Male Thread Both Threads BSP - Parallel - DIN / ISO 228 Sealing by Sealing Shoulder Form B

Pressure	Thread		Approx. Dimensions					Form	Order-Code	
	PN	G = BSP	G1 = BSP	L	L1	L2	D			SW
630		1/8"-28	1/8"-28	23,5	8,0	11,0	4,5	17	B	1050515-02-02
630		1/8"-28	1/4"-19	31,0	8,0	17,0	4,0	19	B	1050515-02-04
630		1/8"-28	3/8"-19	32,0	8,0	17,0	4,0	24	B	1050515-02-06
630		1/8"-28	1/2"-14	37,0	8,0	20,0	4,0	27	B	1050515-02-08
630		1/4"-19	1/8"-28	28,0	12,0	12,0	7,0	19	B	1050515-04-02
630		1/4"-19	1/4"-19	32,0	10,0	17,0	6,0	19	B	1050515-04-04
630		1/4"-19	3/8"-19	36,0	12,0	17,0	7,0	24	B	1050515-04-06
630		1/4"-19	1/2"-14	40,0	12,0	20,0	5,0	27	B	1050515-04-08
630		1/4"-19	3/4"-14	43,0	12,0	22,0	6,0	36	B	1050515-04-12
400		3/8"-19	1/4"-19	36,0	12,0	17,0	8,0	22	B	1050515-06-04
400		3/8"-19	3/8"-19	36,0	12,0	17,0	9,0	24	B	1050515-06-06
400		3/8"-19	1/2"-14	41,0	12,0	20,0	8,0	27	B	1050515-06-08
400		3/8"-19	3/4"-14	44,0	12,0	22,0	8,0	36	B	1050515-06-12
400		3/8"-19	1"-11	46,5	12,0	24,5	8,0	41	B	1050515-06-16
400		1/2"-14	3/8"-19	36,0	14,0	17,0	12,0	27	B	1050515-08-06
400		1/2"-14	1/2"-14	39,0	14,0	20,0	12,0	27	B	1050515-08-08
400		1/2"-14	3/4"-14	46,0	14,0	22,0	12,0	36	B	1050515-08-12
400		1/2"-14	1"-11	49,0	14,0	24,5	12,0	41	B	1050515-08-16
250		1/2"-14	1 1/4"-11	53,0	14,0	26,5	12,0	55	B	1050515-08-20
400		3/4"-14	1/2"-14	41,0	16,0	20,0	16,0	32	B	1050515-12-08

400	3/4"-14	3/4"-14	45,0	16,0	22,5	18,0	32	B	1050515-12-12
400	3/4"-14	1"-11	51,0	16,0	24,5	16,0	41	B	1050515-12-16
250	3/4"-14	1 1/4"-11	55,0	16,0	26,5	16,0	55	B	1050515-12-20
250	3/4"-14	1 1/2"-11	57,0	16,0	28,5	16,0	60	B	1050515-12-24
400	1"-11	3/4"-14	47,0	18,0	22,0	20,0	41	B	1050515-16-12
400	1"-11	1"-11	49,5	18,0	24,5	22,0	41	B	1050515-16-16
250	1"-11	1 1/4"-11	57,0	18,0	26,5	20,0	55	B	1050515-16-20
250	1"-11	1 1/2"-11	59,0	18,0	28,5	20,0	60	B	1050515-16-24
250	1 1/4"-11	1"-11	52,0	20,0	24,5	25,0	50	B	1050515-20-16
250	1 1/4"-11	1 1/4"-11	58,0	20,0	27,0	25,0	50	B	1050515-20-20
250	1 1/4"-11	1 1/2"-11	60,0	20,0	28,5	25,0	60	B	1050515-20-24
250	1 1/2"-11	1 1/4"-11	58,0	22,0	26,5	32,0	55	B	1050515-24-20
250	1 1/2"-11	1 1/2"-11	58,0	22,0	27,5	37,0	55	B	1050515-24-24
100	2"-11	2"-11	64,5	23,0	30,5	43,0	70	B	1050515-32-32