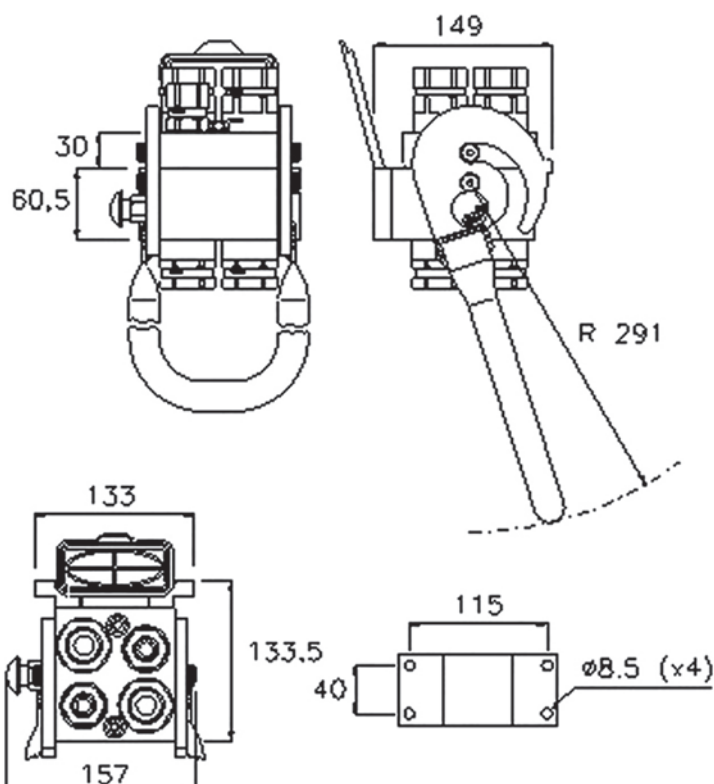




MF P510

MultiFaster 4 lines, 2 lines size 08, 2 lines size 12.

Applications



Technical Specifications

| dash | Size mm | inch | Working Pressure (MPa) | Flow Rate (l/min) | Spillage (ml) | Burst pressure (MPa) | | |
|------|------------|------|---------------------------|----------------------|------------------|----------------------|--------|------------------|
| | | | | | | Male | Female | Male + Female |
| 08 | 12.5 | 1/2" | 25 | 70 | 0.01 | 100 | 100 | 100 |
| 12 | 20 | 3/4" | 25 | 105 | 0.02 | 100 | 100 | 100 |

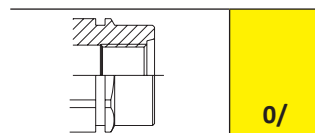
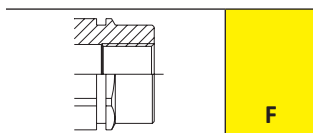
| | |
|----------------------|----------------------------|
| Material | Aluminium; Steel |
| Seals | NBR; PUR |
| Working temperatures | - 25 °C to + 100 °C |
| Surface treatment | MATE 500 (CrIII); Paint |

| | |
|---------------------------|------------------|
| Valve Type | Flat |
| Connection | Lever |
| Disconnection | Lever |
| Connection Under Pressure | Allowed Residual |



P510

| Size | | | | | Thread Type | | | | | FIXED |
|------|------|------|---------|---------------------|-------------|-------------|------------------------------|------------------------|----------------|-----------------|
| dash | mm | inch | Housing | Number of Couplings | Thread Type | Standard | Thread | Electrical Connector N | Connector Type | Part Number |
| 08 | 12.5 | 1/2" | 4 | 2 | F BSPP | ISO 1179-1 | BSPP 1/2" FEMALE | | | 3P510-4-A F C |
| 12 | 20 | 3/4" | | 2 | F BSPP | ISO 1179-1 | BSPP 3/4" FEMALE | | | |
| 08 | 12.5 | 1/2" | 4 | 1 | F BSPP | ISO 1179-1 | BSPP 1/2" FEMALE | | | 3P510-3-A F C |
| 12 | 20 | 3/4" | | 2 | F BSPP | ISO 1179-1 | BSPP 3/4" FEMALE | | | |
| 08 | 12.5 | 1/2" | 4 | 1 | F BSPP | ISO 1179-1 | BSPP 1/2" FEMALE | | | 3P510-2-E F C |
| 12 | 20 | 3/4" | | 1 | F BSPP | ISO 1179-1 | BSPP 3/4" FEMALE | | | |
| 08 | 12.5 | 1/2" | 4 | | | | | 1 | 3 PINS | 3P510-1A-2-A FC |
| 08 | 12.5 | 1/2" | | | | | | 1 | 7 PINS | |
| 12 | 20 | 3/4" | | 1 | F BSPP | ISO 1179-1 | BSPP 1/2" FEMALE | | | |
| 12 | 20 | 3/4" | | 1 | F BSPP | ISO 1179-1 | BSPP 3/4" FEMALE | | | |
| 08 | 12.5 | 1/2" | 4 | 1 | F BSPP | ISO 1179-1 | BSPP 1/2" FEMALE | | | 3P510-1-3-A F C |
| 08 | 12.5 | 1/2" | | | | | | 1 | 3 PINS | |
| 12 | 20 | 3/4" | | 2 | F BSPP | ISO 1179-1 | BSPP 3/4" FEMALE | | | |
| 08 | 12.5 | 1/2" | 4 | 2 | O/ SAE | ISO 11926-1 | 1 - 1/16" - 12 UN FEMALE ORB | | | 2P510-4-N F C |
| 12 | 20 | 3/4" | | 2 | O/ SAE | ISO 11926-1 | 3/4" - 16 UNF FEMALE ORB | | | |
| 08 | 12.5 | 1/2" | 4 | 1 | F BSPP | ISO 1179-1 | BSPP 1/2" FEMALE | | | 2P510-3-A F C |
| 12 | 20 | 3/4" | | 2 | F BSPP | ISO 1179-1 | BSPP 3/4" FEMALE | | | |
| 08 | 12.5 | 1/2" | 4 | 1 | F BSPP | ISO 1179-1 | BSPP 1/2" FEMALE | | | 2P510-2-A F C |
| 12 | 20 | 3/4" | | 1 | F BSPP | ISO 1179-1 | BSPP 3/4" FEMALE | | | |
| 12 | 20 | 3/4" | 4 | 2 | O/ SAE | ISO 11926-1 | 1 - 1/16" - 12 UN FEMALE ORB | | | 2P510-2-34S F C |
| 08 | 12.5 | 1/2" | 4 | 1 | O/ SAE | ISO 11926-1 | 1 - 1/16" - 12 UN FEMALE ORB | | | 2P510-1-3-I F C |
| 08 | 12.5 | 1/2" | | | | | | 1 | 3 PINS | |
| 12 | 20 | 3/4" | | 2 | O/ SAE | ISO 11926-1 | 3/4" - 16 UNF FEMALE ORB | | | |
| 08 | 12.5 | 1/2" | 4 | 1 | F BSPP | ISO 1179-1 | BSPP 1/2" FEMALE | | | 2P510-1-3-A1 FC |
| 08 | 12.5 | 1/2" | | | | | | 1 | 3 PINS | |
| 12 | 20 | 3/4" | | 2 | F BSPP | ISO 1179-1 | BSPP 3/4" FEMALE | | | |
| 08 | 12.5 | 1/2" | 4 | | | | | 1 | 3 PINS | 2P510-1-2-34SFC |
| 12 | 20 | 3/4" | | 2 | O/ SAE | ISO 11926-1 | 1 - 1/16" - 12 UN FEMALE ORB | | | |
| 12 | 20 | 3/4" | 4 | 2 | F BSPP | ISO 1179-1 | BSPP 3/4" FEMALE | | | 3P510-2-34G F C |
| 12 | 20 | 3/4" | 4 | 2 | F BSPP | ISO 1179-1 | BSPP 3/4" FEMALE | | | 2P510-2-34G F C |
| 08 | 12.5 | 1/2" | 4 | 2 | F BSPP | ISO 1179-1 | BSPP 1/2" FEMALE | | | 2P510-4-A F C |
| 12 | 20 | 3/4" | | 2 | F BSPP | ISO 1179-1 | BSPP 3/4" FEMALE | | | |



P510

| Size | | | | | Thread Type | | | | | MOBILE |
|------|------|------|---------|---------------------|-------------|-------------|------------------------------|--------------|----------------|-----------------|
| dash | mm | inch | Housing | Number of Couplings | Thread Type | Standard | Thread | Electrical N | Connector Type | Part Number |
| 08 | 12.5 | 1/2" | 4 | 1 | F BSPP | ISO 1179-1 | BSPP 1/2" FEMALE | | | 3P510-3-A M C |
| 12 | 20 | 3/4" | | 2 | F BSPP | ISO 1179-1 | BSPP 3/4" FEMALE | | | |
| 08 | 12.5 | 1/2" | 4 | 1 | F BSPP | ISO 1179-1 | BSPP 1/2" FEMALE | | | 3P510-2-E M C |
| 12 | 20 | 3/4" | | 1 | F BSPP | ISO 1179-1 | BSPP 3/4" FEMALE | | | |
| 12 | 20 | 3/4" | 4 | 2 | O/ SAE | ISO 11926-1 | 1-1/16"-12 UN FEMALE ORB | | | 3P510-2-34S M C |
| 08 | 12.5 | 1/2" | 4 | | | | | 1 | 3 PINS | 3P510-1A-2-A MC |
| 08 | 12.5 | 1/2" | | | | | | 1 | 7 PINS | |
| 12 | 20 | 3/4" | | 1 | F BSPP | ISO 1179-1 | BSPP 1/2" FEMALE | | | |
| 12 | 20 | 3/4" | | 1 | F BSPP | ISO 1179-1 | BSPP 3/4" FEMALE | | | |
| 08 | 12.5 | 1/2" | 4 | 1 | F BSPP | ISO 1179-1 | BSPP 1/2" FEMALE | | | 3P510-1-3-A M C |
| 08 | 12.5 | 1/2" | | | | | | 1 | 3 PINS | |
| 12 | 20 | 3/4" | 4 | 2 | F BSPP | ISO 1179-1 | BSPP 3/4" FEMALE | | | 2P510-4-N M C |
| 08 | 12.5 | 1/2" | | 2 | O/ SAE | ISO 11926-1 | 1 - 1/16" - 12 UN FEMALE ORB | | | |
| 12 | 20 | 3/4" | | 2 | O/ SAE | ISO 11926-1 | 3/4" - 16 UNF FEMALE ORB | | | |
| 08 | 12.5 | 1/2" | 4 | 1 | F BSPP | ISO 1179-1 | BSPP 1/2" FEMALE | | | 2P510-3-A M C |
| 12 | 20 | 3/4" | | 2 | F BSPP | ISO 1179-1 | BSPP 3/4" FEMALE | | | |
| 08 | 12.5 | 1/2" | 4 | 1 | F BSPP | ISO 1179-1 | BSPP 1/2" FEMALE | | | 2P510-2-A M C |
| 12 | 20 | 3/4" | | 1 | F BSPP | ISO 1179-1 | BSPP 3/4" FEMALE | | | |
| 12 | 20 | 3/4" | 4 | 2 | O/ SAE | ISO 11926-1 | 1 - 1/16" - 12 UN FEMALE ORB | | | 2P510-2-34S M C |
| 08 | 12.5 | 1/2" | 4 | 1 | O/ SAE | ISO 11926-1 | 1 - 1/16" - 12 UN FEMALE ORB | | | 2P510-1-3-I M C |
| 08 | 12.5 | 1/2" | | | | | | 1 | 3 PINS | |
| 12 | 20 | 3/4" | | 2 | O/ SAE | ISO 11926-1 | 3/4" - 16 UNF FEMALE ORB | | | |
| 08 | 12.5 | 1/2" | 4 | 1 | F BSPP | ISO 1179-1 | BSPP 1/2" FEMALE | | | 2P510-1-3-A1 MC |
| 08 | 12.5 | 1/2" | | | | | | 1 | 3 PINS | |
| 12 | 20 | 3/4" | | 2 | F BSPP | ISO 1179-1 | BSPP 3/4" FEMALE | | | |
| 08 | 12.5 | 1/2" | 4 | 2 | F BSPP | ISO 1179-1 | BSPP 1/2" FEMALE | | | 3P510-4-A M C |
| 12 | 20 | 3/4" | | 2 | F BSPP | ISO 1179-1 | BSPP 3/4" FEMALE | | | |
| 12 | 20 | 3/4" | 4 | 2 | F BSPP | ISO 1179-1 | BSPP 3/4" FEMALE | | | 2P510-2-34G M C |
| 12 | 20 | 3/4" | 4 | 2 | F BSPP | ISO 1179-1 | BSPP 3/4" FEMALE | | | 3P510-2-34G M C |
| 08 | 12.5 | 1/2" | 4 | 2 | F BSPP | ISO 1179-1 | BSPP 1/2" FEMALE | | | 2P510-4-A M C |
| 12 | 20 | 3/4" | | 2 | F BSPP | ISO 1179-1 | BSPP 3/4" FEMALE | | | |

Spare Parts & Accessories

| Female Half | | | | Male Half | | | | | |
|--------------|-------------|------------|-------------|------------|------------|---------|--------------|--------------|---------|
| Plates | Lever | Dust cover | Safety Lock | Plates | Seals male | Screws | Plugs | Guiding pins | Docking |
| KIT P510 F L | KIT LP510 | | KIT SP5 S | KIT P510 M | SK MF 12 | KIT VP8 | KIT TSP 38 M | KIT GP4 | S P510 |
| | KIT L3P510* | | | | SK MF 34 | | KIT TSP 34 M | | |

*this kit is only suitable for items of P510 series equipped with a straight lever (3P510...FC), but can't be used to service item with U-shaped lever.

