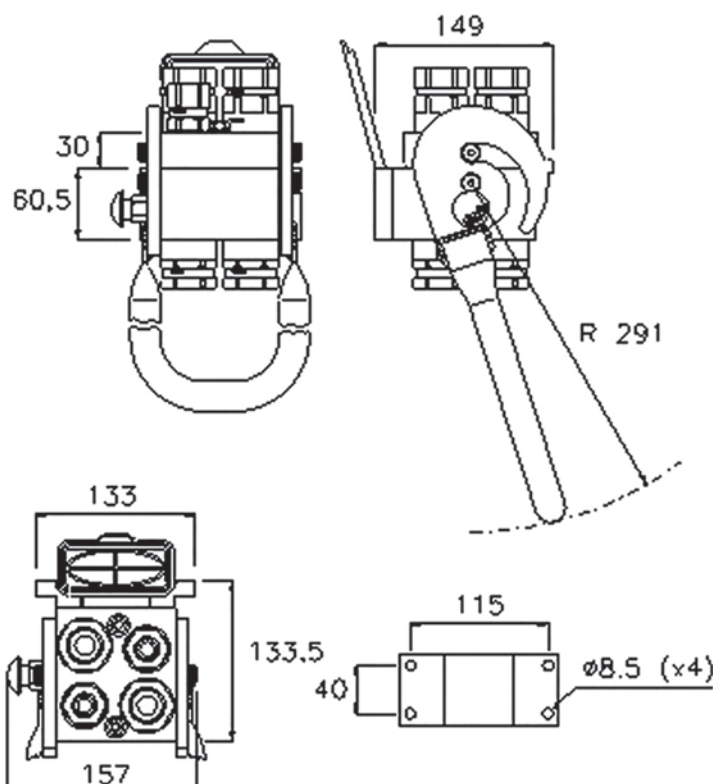




# MF P510

MultiFaster 4 lines, 2 lines size 08, 2 lines size 12.

## Applications



## Technical Specifications

dash	Size mm	inch	Working Pressure (MPa)	Flow Rate (l/min)	Spillage (ml)	Burst pressure (MPa)		
						Male	Female	Male + Female
08	12.5	1/2"	25	70	0.01	100	100	100
12	20	3/4"	25	105	0.02	100	100	100

Material **Aluminium; Steel**

Seals **NBR; PUR**

Working temperatures **- 25 °C to + 100 °C**

Surface treatment **MATE 500 (CrIII);  
Paint**

Valve Type **Flat**

Connection **Lever**

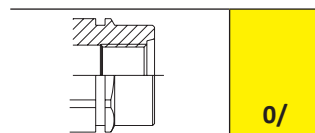
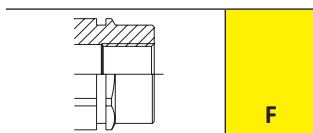
Disconnection **Lever**

Connection Under Pressure **Allowed  
Residual**



# P510

Size					Thread Type					FIXED
dash	mm	inch	Housing	Number of Couplings	Thread Type	Standard	Thread	Electrical Connector N	Connector Type	Part Number
08	12.5	1/2"	4	2	F BSPP	ISO 1179-1	BSPP 1/2" FEMALE			3P510-4-A F C
12	20	3/4"		2	F BSPP	ISO 1179-1	BSPP 3/4" FEMALE			
08	12.5	1/2"	4	1	F BSPP	ISO 1179-1	BSPP 1/2" FEMALE			3P510-3-A F C
12	20	3/4"		2	F BSPP	ISO 1179-1	BSPP 3/4" FEMALE			
08	12.5	1/2"	4	1	F BSPP	ISO 1179-1	BSPP 1/2" FEMALE			3P510-2-E F C
12	20	3/4"		1	F BSPP	ISO 1179-1	BSPP 3/4" FEMALE			
08	12.5	1/2"	4					1	3 PINS	3P510-1A-2-A FC
08	12.5	1/2"						1	7 PINS	
12	20	3/4"		1	F BSPP	ISO 1179-1	BSPP 1/2" FEMALE			
12	20	3/4"		1	F BSPP	ISO 1179-1	BSPP 3/4" FEMALE			
08	12.5	1/2"	4	1	F BSPP	ISO 1179-1	BSPP 1/2" FEMALE			3P510-1-3-A F C
08	12.5	1/2"						1	3 PINS	
12	20	3/4"	2	F BSPP	ISO 1179-1	BSPP 3/4" FEMALE				
08	12.5	1/2"	4	2	O/ SAE	ISO 11926-1	1 - 1/16" - 12 UN FEMALE ORB			2P510-4-N F C
12	20	3/4"		2	O/ SAE	ISO 11926-1	3/4" - 16 UNF FEMALE ORB			
08	12.5	1/2"	4	1	F BSPP	ISO 1179-1	BSPP 1/2" FEMALE			2P510-3-A F C
12	20	3/4"		2	F BSPP	ISO 1179-1	BSPP 3/4" FEMALE			
08	12.5	1/2"	4	1	F BSPP	ISO 1179-1	BSPP 1/2" FEMALE			2P510-2-A F C
12	20	3/4"		1	F BSPP	ISO 1179-1	BSPP 3/4" FEMALE			
12	20	3/4"	4	2	O/ SAE	ISO 11926-1	1 - 1/16" - 12 UN FEMALE ORB			2P510-2-34S F C
08	12.5	1/2"	4	1	O/ SAE	ISO 11926-1	1 - 1/16" - 12 UN FEMALE ORB			2P510-1-3-I F C
08	12.5	1/2"						1	3 PINS	
12	20	3/4"		2	O/ SAE	ISO 11926-1	3/4" - 16 UNF FEMALE ORB			
08	12.5	1/2"	4	1	F BSPP	ISO 1179-1	BSPP 1/2" FEMALE			2P510-1-3-A1 FC
08	12.5	1/2"						1	3 PINS	
12	20	3/4"	2	F BSPP	ISO 1179-1	BSPP 3/4" FEMALE				
08	12.5	1/2"	4					1	3 PINS	2P510-1-2-34SFC
12	20	3/4"		2	O/ SAE	ISO 11926-1	1 - 1/16" - 12 UN FEMALE ORB			
12	20	3/4"	4	2	F BSPP	ISO 1179-1	BSPP 3/4" FEMALE			3P510-2-34G F C
12	20	3/4"	4	2	F BSPP	ISO 1179-1	BSPP 3/4" FEMALE			2P510-2-34G F C
08	12.5	1/2"	4	2	F BSPP	ISO 1179-1	BSPP 1/2" FEMALE			2P510-4-A F C
12	20	3/4"		2	F BSPP	ISO 1179-1	BSPP 3/4" FEMALE			



## P510

Size					Thread Type					MOBILE	
dash	mm	inch	Housing	Number of Couplings	Thread Type	Standard	Thread	Electrical N	Connector Type	Part Number	
08	12.5	1/2"	4	1	F BSPP	ISO 1179-1	BSPP 1/2" FEMALE			3P510-3-A M C	
12	20	3/4"		2	F BSPP	ISO 1179-1	BSPP 3/4" FEMALE				
08	12.5	1/2"	4	1	F BSPP	ISO 1179-1	BSPP 1/2" FEMALE			3P510-2-E M C	
12	20	3/4"		1	F BSPP	ISO 1179-1	BSPP 3/4" FEMALE				
12	20	3/4"	4	2	O/ SAE	ISO 11926-1	1-1/16"-12 UN FEMALE ORB			3P510-2-34S M C	
08	12.5	1/2"	4					1	3 PINS	3P510-1A-2-A MC	
08	12.5	1/2"							1		7 PINS
12	20	3/4"		1	F BSPP	ISO 1179-1	BSPP 1/2" FEMALE				
12	20	3/4"		1	F BSPP	ISO 1179-1	BSPP 3/4" FEMALE				
08	12.5	1/2"		1	F BSPP	ISO 1179-1	BSPP 1/2" FEMALE				
08	12.5	1/2"	4					1	3 PINS	3P510-1-3-A M C	
12	20	3/4"		2	F BSPP	ISO 1179-1	BSPP 3/4" FEMALE				
08	12.5	1/2"	4	2	O/ SAE	ISO 11926-1	1 - 1/16" - 12 UN FEMALE ORB			2P510-4-N M C	
12	20	3/4"		2	O/ SAE	ISO 11926-1	3/4" - 16 UNF FEMALE ORB				
08	12.5	1/2"	4	1	F BSPP	ISO 1179-1	BSPP 1/2" FEMALE			2P510-3-A M C	
12	20	3/4"		2	F BSPP	ISO 1179-1	BSPP 3/4" FEMALE				
08	12.5	1/2"	4	1	F BSPP	ISO 1179-1	BSPP 1/2" FEMALE			2P510-2-A M C	
12	20	3/4"		1	F BSPP	ISO 1179-1	BSPP 3/4" FEMALE				
12	20	3/4"	4	2	O/ SAE	ISO 11926-1	1 - 1/16" - 12 UN FEMALE ORB			2P510-2-34S M C	
08	12.5	1/2"	4	1	O/ SAE	ISO 11926-1	1 - 1/16" - 12 UN FEMALE ORB			2P510-1-3-I M C	
08	12.5	1/2"						1	3 PINS		
12	20	3/4"		2	O/ SAE	ISO 11926-1	3/4" - 16 UNF FEMALE ORB				
08	12.5	1/2"	4	1	F BSPP	ISO 1179-1	BSPP 1/2" FEMALE			2P510-1-3-A1 MC	
08	12.5	1/2"						1	3 PINS		
12	20	3/4"		2	F BSPP	ISO 1179-1	BSPP 3/4" FEMALE				
08	12.5	1/2"	4	2	F BSPP	ISO 1179-1	BSPP 1/2" FEMALE			3P510-4-A M C	
12	20	3/4"		2	F BSPP	ISO 1179-1	BSPP 3/4" FEMALE				
12	20	3/4"	4	2	F BSPP	ISO 1179-1	BSPP 3/4" FEMALE			2P510-2-34G M C	
12	20	3/4"	4	2	F BSPP	ISO 1179-1	BSPP 3/4" FEMALE			3P510-2-34G M C	
08	12.5	1/2"	4	2	F BSPP	ISO 1179-1	BSPP 1/2" FEMALE			2P510-4-A M C	
12	20	3/4"		2	F BSPP	ISO 1179-1	BSPP 3/4" FEMALE				

## Spare Parts &amp; Accessories

Female Half				Male Half					
Plates	Lever	Dust cover	Safety Lock	Plates	Seals male	Screws	Plugs	Guiding pins	Docking
KIT P510 F L	KIT LP510		KIT SP5 S	KIT P510 M	SK MF 12	KIT VP8	KIT TSP 38 M	KIT GP4	S P510
	KIT L3P510*				SK MF 34		KIT TSP 34 M		

\*this kit is only suitable for items of P510 series equipped with a straight lever (3P510...FC), but can't be used to service item with U-shaped lever.

