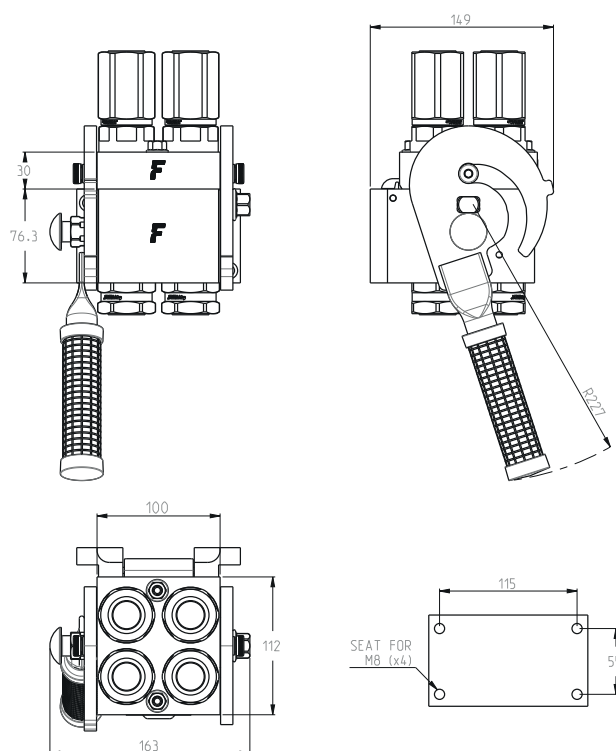




MF P412

MultiFaster 4 lines, size 12.

Applications



Technical Specifications

| dash | Size | | Working Pressure (MPa) | Flow Rate (l/min) | Spillage (ml) | Burst pressure (MPa) | | |
|------|------|------|------------------------|-------------------|---------------|----------------------|--------|---------------|
| | mm | inch | | | | Male | Female | Male + Female |
| 12 | 20 | 3/4" | 25 | 105 | 0.02 | 100 | 100 | 110 |

| | |
|----------------------|--------------------------------|
| Material | Aluminium; Steel |
| Seals | NBR; PUR |
| Working temperatures | - 25 °C to + 100 °C |
| Surface treatment | MATE 500 (CrIII); Paint |

| | |
|---------------------------|-------------------------|
| Valve Type | Flat |
| Connection | Lever |
| Disconnection | Lever |
| Connection Under Pressure | Allowed Residual |



P412

| Size | | | | | Thread Type | | | | | FIXED |
|------|----|------|---------|---------------------|-------------|------------|------------------|------------------------|----------------|-----------------|
| dash | mm | inch | Housing | Number of Couplings | Thread Type | Standard | Thread | Electrical Connector N | Connector Type | Part Number |
| 12 | 20 | 3/4" | 4 | 4 | F BSPP | ISO 1179-1 | BSPP 3/4" FEMALE | | | 3P412-4-34G F C |

| Size | | | | | Thread Type | | | | | MOBILE |
|------|----|------|---------|---------------------|-------------|------------|------------------|------------------------|----------------|-----------------|
| dash | mm | inch | Housing | Number of Couplings | Thread Type | Standard | Thread | Electrical Connector N | Connector Type | Part Number |
| 12 | 20 | 3/4" | 4 | 4 | F BSPP | ISO 1179-1 | BSPP 3/4" FEMALE | | | 3P412-4-34G M C |

Spare Parts & Accessories

| Female Half | | | | Male Half | | | | | |
|-------------|-------|------------|-------------|-----------|------------|--------|--------------|--------------|---------|
| Plates | Lever | Dust cover | Safety Lock | Plates | Seals male | Screws | Plugs | Guiding pins | Docking |
| | | KIT TA P5 | | | SK MF 34 | | KIT TSP 34 M | KIT GP4 | |

