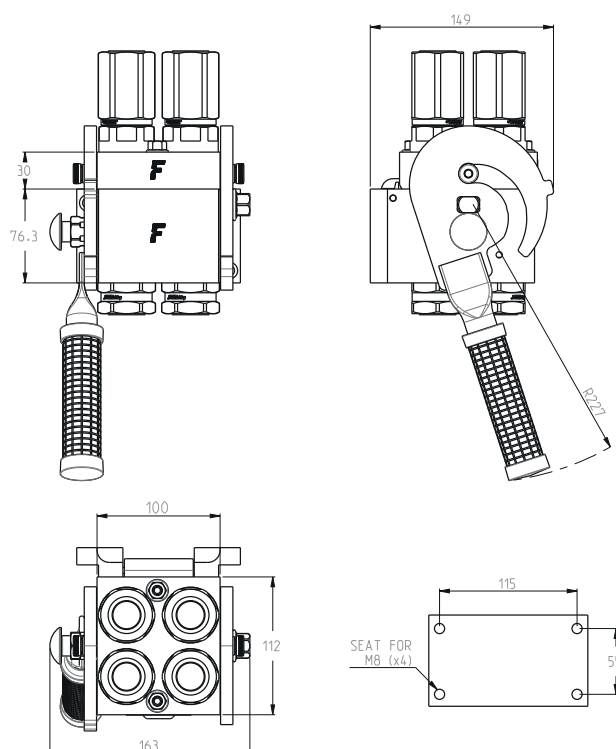




# MF P412

MultiFaster 4 lines, size 12.

## Applications



## Technical Specifications

dash	Size		Working Pressure (MPa)	Flow Rate (l/min)	Spillage (ml)	Burst pressure (MPa)		
	mm	inch				Male	Female	Male + Female
12	20	3/4"	25	105	0.02	100	100	110

Material **Aluminium; Steel**

Seals **NBR; PUR**

Working temperatures **- 25 °C to + 100 °C**

Surface treatment **MATE 500 (CrIII); Paint**

Valve Type **Flat**

Connection **Lever**

Disconnection **Lever**

Connection Under Pressure **Allowed Residual**



# P412

Size					Thread Type					FIXED
dash	mm	inch	Housing	Number of Couplings	Thread Type	Standard	Thread	Electrical N	Connector Type	Part Number
12	20	3/4"	4	4	F BSPP	ISO 1179-1	BSPP 3/4" FEMALE			3P412-4-34G F C

Size					Thread Type					MOBILE
dash	mm	inch	Housing	Number of Couplings	Thread Type	Standard	Thread	Electrical N	Connector Type	Part Number
12	20	3/4"	4	4	F BSPP	ISO 1179-1	BSPP 3/4" FEMALE			3P412-4-34G M C

## Spare Parts & Accessories

Female Half				Male Half					
Plates	Lever	Dust cover	Safety Lock	Plates	Seals male	Screws	Plugs	Guiding pins	Docking
		KIT TA P5			SK MF 34		KIT TSP 34 M	KIT GP4	

