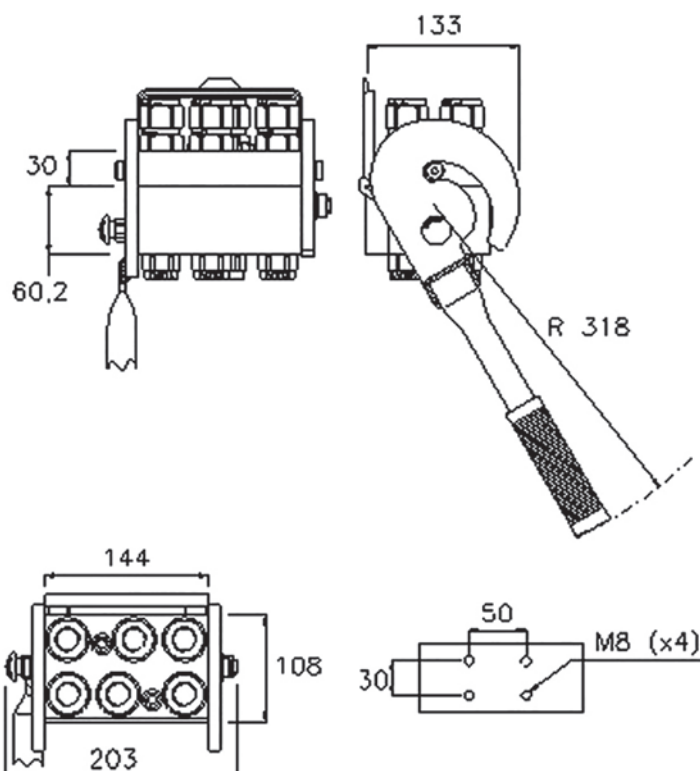




MF P608

MultiFaster 6 lines, size 08.

Applications



Technical Specifications

dash	Size		Working Pressure (MPa)	Flow Rate (l/min)	Spillage (ml)	Burst pressure (MPa)		
	mm	inch				Male	Female	Male + Female
08	12.5	1/2"	25	70	0.01	100	100	100

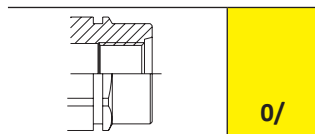
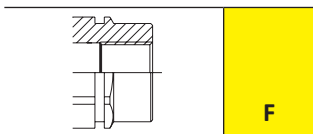
Material	Aluminium; Steel
Seals	NBR; PUR
Working temperatures	- 25 °C to + 100 °C
Surface treatment	MATE 500 (CrIII); Paint

Valve Type	Flat
Connection	Lever
Disconnection	Lever
Connection Under Pressure	Allowed Residual



P608

Size					Thread Type					FIXED
dash	mm	inch	Housing	Number of Couplings	Thread Type	Standard	Thread	Electrical N	Connector Type	Part Number
08	12.5	1/2"	6	6	F BSPP	ISO 1179-1	BSPP 1/2" FEMALE			3P608-6-12G F C
08	12.5	1/2"	6	4	F BSPP	ISO 1179-1	BSPP 1/2" FEMALE			2P608-B-4-C F C
08	12.5	1/2"						2	7 PINS	
08	12.5	1/2"	6	5	F BSPP	ISO 1179-1	BSPP 1/2" FEMALE			2P608-A-5-12G F C
08	12.5	1/2"						1	7 PINS	
08	12.5	1/2"	6	6	O/ SAE	ISO 11926-1	1 - 1/16" - 12 UN FEMALE ORB			2P608-6-34S F C
08	12.5	1/2"	6	6	O/ SAE	ISO 11926-1	3/4" - 16 UNF FEMALE ORB			2P608-6-12S F C
08	12.5	1/2"	6	4	O/ SAE	ISO 11926-1	3/4" - 16 UNF FEMALE ORB			2P608-4-12S F C
08	12.5	1/2"	6	4	F BSPP	ISO 1179-1	BSPP 1/2" FEMALE			2P608-2-4-12G F C
08	12.5	1/2"						2	3 PINS	
08	12.5	1/2"	6	5	F BSPP	ISO 1179-1	BSPP 1/2" FEMALE			2P608-1-5-12G F C
08	12.5	1/2"						1	3 PINS	
08	12.5	1/2"	6	6	F BSPP	ISO 1179-1	BSPP 1/2" FEMALE			2P608-6-12G F C



P608

Size					Thread Type					MOBILE
dash	mm	inch	Housing	Number of Couplings	Thread Type	Standard	Thread	Electrical N	Connector Type	Part Number
08	12.5	1/2"	6	4	F BSPP	ISO 1179-1	BSPP 1/2" FEMALE			3P608-B-4-12G M C
08	12.5	1/2"						2	7 PINS	
08	12.5	1/2"	6	5	F BSPP	ISO 1179-1	BSPP 1/2" FEMALE			3P608-A-5-12G M C
08	12.5	1/2"						1	7 PINS	
08	12.5	1/2"	6	6	F BSPP	ISO 1179-1	BSPP 1/2" FEMALE			3P608-6-12G M C
08	12.5	1/2"	6	5	F BSPP	ISO 1179-1	BSPP 1/2" FEMALE			3P608-1-5-12G M C
08	12.5	1/2"						1	3 PINS	
08	12.5	1/2"	6	6	11/ SAE	ISO 8434-3	13/16"-16 UN MALE ORFS			2P608-6-8BC M C
08	12.5	1/2"	6	6	11/ SAE	ISO 8434-3	13/16"-16 UN MALE ORFS			2P608-6-8B M C
08	12.5	1/2"	6	6	0/ SAE	ISO 11926-1	1 - 1/16" - 12 UN FEMALE ORB			2P608-6-34S M C
08	12.5	1/2"	6	6	13/ SAE	ISO 8434-2	3/4"-16 UNF MALE JIC			2P608-6-13/FS M C
08	12.5	1/2"	6	6	0/ SAE	ISO 11926-1	3/4" - 16 UNF FEMALE ORB			2P608-6-12S M C
08	12.5	1/2"	6	5	F BSPP	ISO 1179-1	BSPP 1/2" FEMALE			2P608-5-12G M C
08	12.5	1/2"	6	4	11/ SAE	ISO 8434-3	13/16"-16 UN MALE ORFS			2P608-4-H M C
08	12.5	1/2"	6	4	11/ SAE	ISO 8434-3	13/16"-16 UN MALE ORFS			2P608-4-8BC M C
08	12.5	1/2"	6	4	11/ SAE	ISO 8434-3	13/16"-16 UN MALE ORFS			2P608-4-8B M C
08	12.5	1/2"	6	4	0/ SAE	ISO 11926-1	3/4" - 16 UNF FEMALE ORB			2P608-4-12S M C
08	12.5	1/2"	6	4	11/ SAE	ISO 8434-3	1"-14 UNS MALE ORFS			2P608-4-11/GS M C
08	12.5	1/2"	6	4	F BSPP	ISO 1179-1	BSPP 1/2" FEMALE			2P608-2-4-12G M C
08	12.5	1/2"						2	3 PINS	
08	12.5	1/2"	6	6	F BSPP	ISO 1179-1	BSPP 1/2" FEMALE			2P608-6-12G M C

Spare Parts & Accessories

Female Half				Male Half					
Plates	Lever	Dust cover	Safety Lock	Plates	Seals male	Screws	Plugs	Guiding pins	Docking
KIT P608 F L	KIT LP608	KIT TA P608	KIT SP5 S	KIT P608 M	SK MF 12	KIT VP8	KIT TSP 38 M	KIT GP4	S P608

