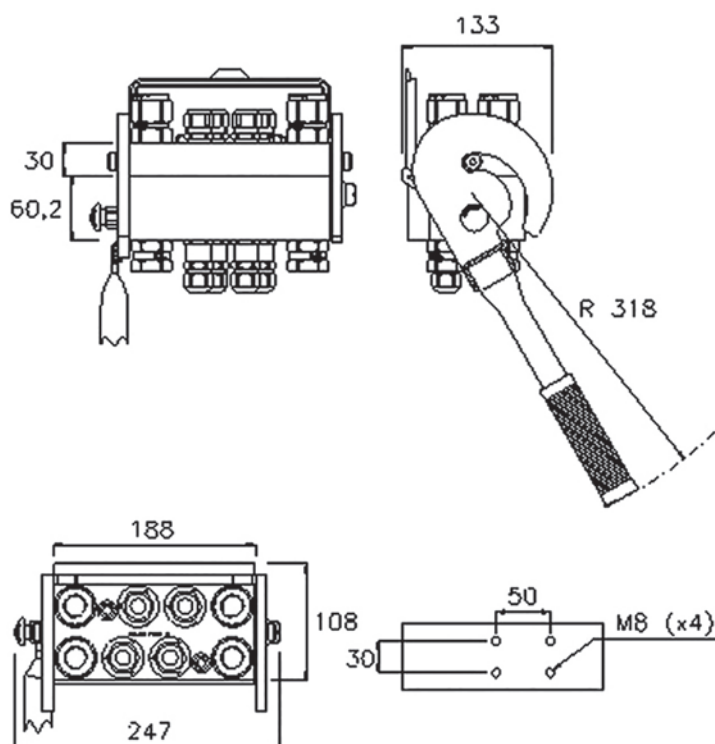




MF P808

MultiFaster 8 lines, size 08.

Applications



Technical Specifications

dash	Size		Working Pressure (MPa)	Flow Rate (l/min)	Spillage (ml)	Burst pressure (MPa)		
	mm	inch				Male	Female	Male + Female
08	12.5	1/2"	25	70	0.01	100	100	100

Material	Aluminium; Steel
Seals	NBR; PUR
Working temperatures	- 25 °C to + 100 °C
Surface treatment	MATE 500 (CrIII); Paint

Valve Type	Flat
Connection	Lever
Disconnection	Lever
Connection Under Pressure	Allowed Residual



P808

Size					Thread Type					FIXED
dash	mm	inch	Housing	Number of Couplings	Thread Type	Standard	Thread	Electrical Connector N	Connector Type	Part Number
08	12.5	1/2"	8	7	F BSPP	ISO 1179-1	BSPP 1/2" FEMALE	1	7 PINS	2P808-A-7-12GFC
08	12.5	1/2"								
08	12.5	1/2"	8	8	O2/ METRIC	ISO 8434-1-L	M16x1.5 MALE 10L			2P808-8-E F C
08	12.5	1/2"	8	8	O/ SAE	ISO 11926-1	3/4"-16 UNF FEMALE ORB			2P808-8-12S FC
08	12.5	1/2"	8	6	F BSPP	ISO 1179-1	BSPP 1/2" FEMALE			2P808-6-12G F C
08	12.5	1/2"	8	8	F BSPP	ISO 1179-1	BSPP 1/2" FEMALE			2P808-8-T F C
08	12.5	1/2"	8	8	F BSPP	ISO 1179-1	BSPP 1/2" FEMALE			2P808-8-12G FC

Size					Thread Type					MOBILE
dash	mm	inch	Housing	Number of Couplings	Thread Type	Standard	Thread	Electrical Connector N	Connector Type	Part Number
08	12.5	1/2"	8	8	O2/ METRIC	ISO 8434-1-L	M16x1.5 MALE 10L			3P808-8-E M C
08	12.5	1/2"	8	7	F BSPP	ISO 1179-1	BSPP 1/2" FEMALE	1	7 PINS	2P808-A-7-12GMC
08	12.5	1/2"								
08	12.5	1/2"	8	8	O/ SAE	ISO 11926-1	1 - 1/16" - 12 UN FEMALE ORB			2P808-8-34S MC
08	12.5	1/2"	8	6	11/ SAE	ISO 8434-3	13/16"-16 UN MALE ORFS			2P808-6-8BC M C
08	12.5	1/2"	8	6	F BSPP	ISO 1179-1	BSPP 1/2" FEMALE			2P808-6-12G M C
08	12.5	1/2"	8	8	F BSPP	ISO 1179-1	BSPP 1/2" FEMALE			3P808-8-12G MC
08	12.5	1/2"	8	8	F BSPP	ISO 1179-1	BSPP 1/2" FEMALE			2P808-8-12G MC

Spare Parts & Accessories

Female Half				Male Half					
Plates	Lever	Dust cover	Safety Lock	Plates	Seals male	Screws	Plugs	Guiding pins	Docking
KIT P808 F L	KIT LP808	KIT TA P8	KIT SP5 S	KIT P808 M	SK MF 12	KIT VP8	KIT TSP 38 M	KIT GP8	

