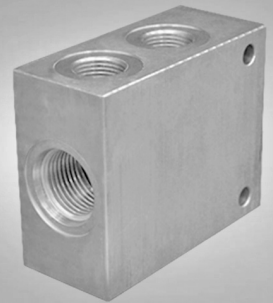


Manifolds

RE 18325-85/07.24
Replaces: 01.24

1/16

- Standard manifolds common cavity
- Standard manifolds special cavity
- Manifolds with emergency screw
- Manifolds with SUN cavity
- Manifolds with Rexroth special cavity



Summary

Description	Page
Standard manifold common cavity aluminium or steel	
Size 08	2-3
Size 10	4-5
Size 12	6-7
Size 16	8-9
Size 20	10-11
Standard manifold special cavity aluminium or steel	
017-E	12
021-E	12
019-E	12
004	13
Manifold with emergency screw aluminium or steel	
Size 08	13
017-E	13
021-E	14
Manifold with SUN cavity aluminium or steel	
CAVITY: R/T-08A	14
CAVITY: R/T-11A	14
CAVITY: R/T-13A	15
Manifold with Rexroth special cavity aluminium or steel	
CAVITY R/LA (R/FTDRE 4K)	15
CAVITY R/FTDRE2K	15
CAVITY R/DRE05	16

General specifications

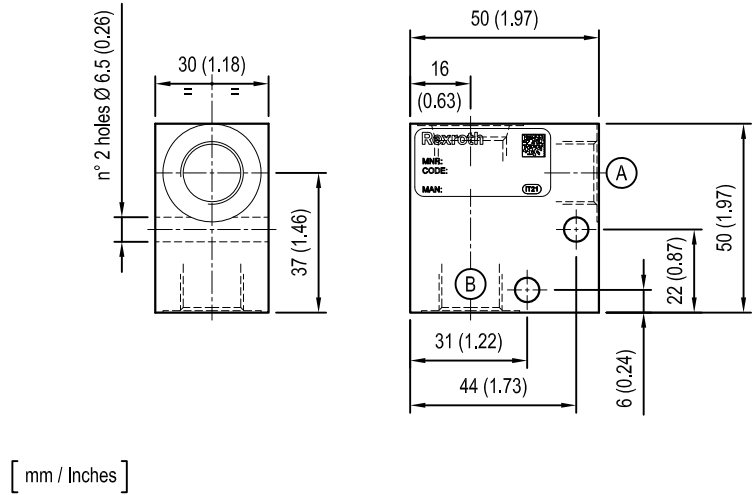
- | | |
|---|--------------------|
| • Max operating pressure for
steel body: | 350 bar (5000 psi) |
| • Max operating pressure for
high pressure steel body: | 500 bar (7250 psi) |
| • Max operating pressure for
aluminium body: | 210 bar (3000 psi) |

Note: aluminium bodies are often strong enough for operating pressures exceeding 210 bar (3000 psi), depending from the fatigue life expected in the specific application. If in doubt, consult our Service Network.

Standard manifolds - Common cavity Size 08 - Aluminium / Steel

CAVITY: CA-08A-2N

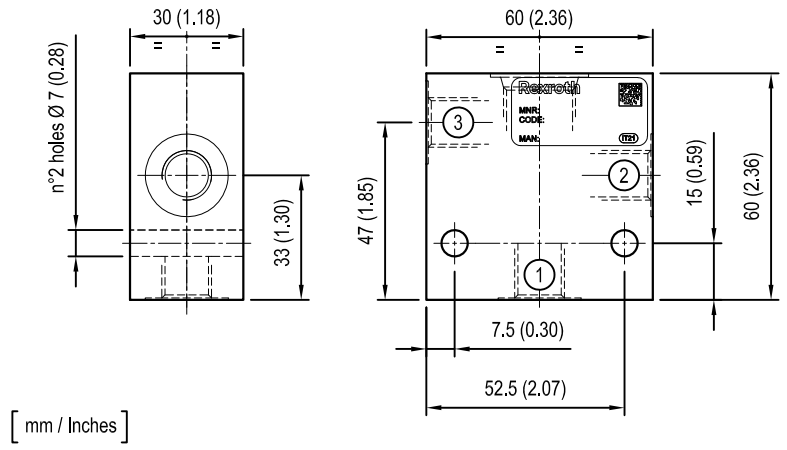
	Ordering code	Ports A-B	Weight kg (lbs)
Aluminium	XOC1009009 R930095051	G 1/4	0.17 (0.38)
	XOC1009004 R930095050	G 3/8	0.16 (0.35)
Steel	XOC1009067 R930095057	G 1/4	0.47 (1.04)
	XOC1009066 R930095056	G 3/8	0.45 (0.99)



[mm / Inches]

CAVITY: CA-08A-3C

	Ordering code	Ports		Weight kg (lbs)
		1-2	3	
Aluminium	XOC1009262 R930095208	G 1/4	G 1/4	0.25 (0.55)
	XOC1009260 R930095206	G 3/8	G 1/4	0.25 (0.55)
Steel	XOC1009263 R930095209	G 1/4	G 1/4	0.71 (1.57)
	XOC1009261 R930095207	G 3/8	G 1/4	0.69 (1.52)

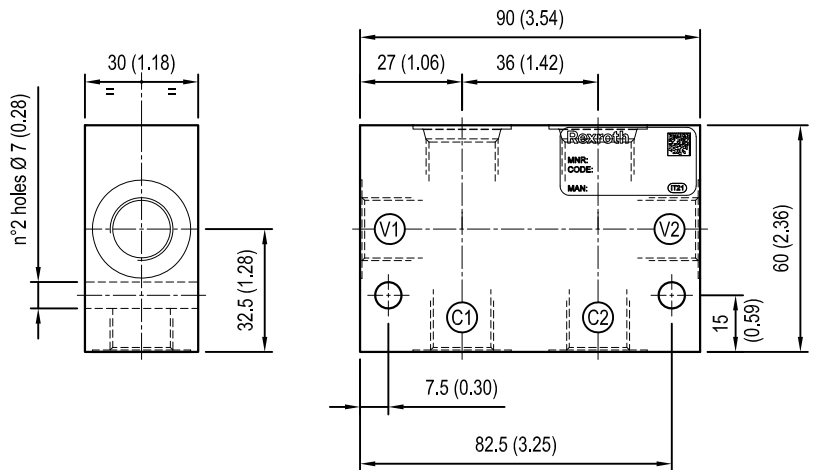


[mm / Inches]

Standard manifolds - Common cavity Size 08 - Aluminium / Steel

CAVITY: CA-08A-3C
(DOUBLE CAVITY)

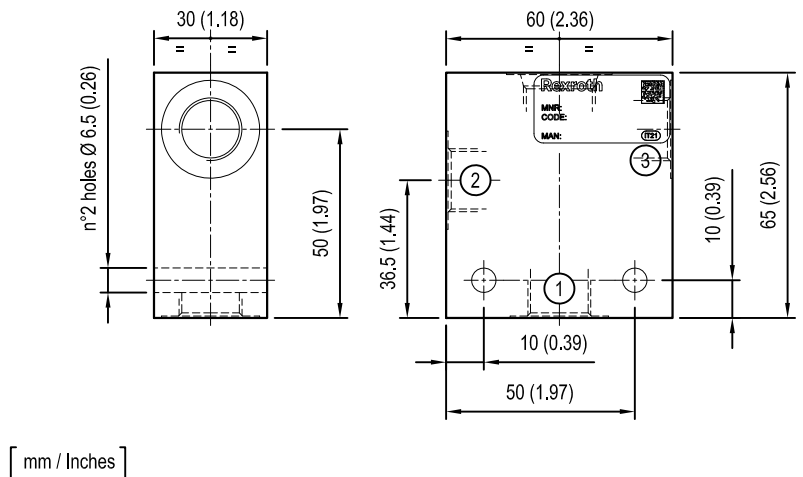
	Ordering code	Ports V1-V2-C1-C2	Weight kg (lbs)
Aluminium	XOC1009185 R930095138	G 3/8	0.36 (0.79)
Steel	XOC1009184 R930095137	G 3/8	1.00 (2.21)



[mm / Inches]

CAVITY: CA-08A-3N

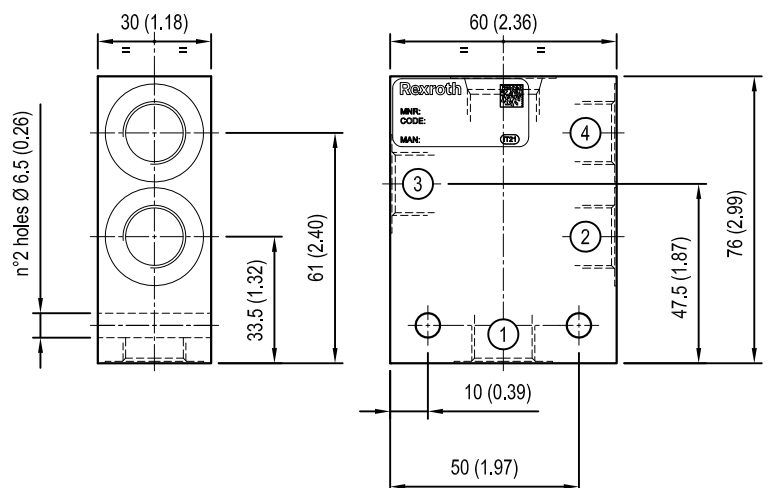
	Ordering code	Ports 1-2-3	Weight kg (lbs)
Aluminium	XOC1009042 R930095062	G 1/4	0.30 (0.66)
Aluminium	XOC1009048 R930095063	G 3/8	0.27 (0.60)
Steel	XOC1009225 R930095172	G 1/4	0.78 (1.72)
Steel	XOC1009153 R930095136	G 3/8	0.74 (1.63)



[mm / Inches]

CAVITY: CA-08A-4N

	Ordering code	Ports 1-2-3-4	Weight kg (lbs)
Aluminium	XOC1009047 R930095065	G 1/4	0.33 (0.73)
Aluminium	XOC1009046 R930095064	G 3/8	0.29 (0.64)
Steel	XOC1009236 R930095183	G 1/4	0.93 (2.05)
Steel	XOC1009237 R930095184	G 3/8	0.81 (1.79)



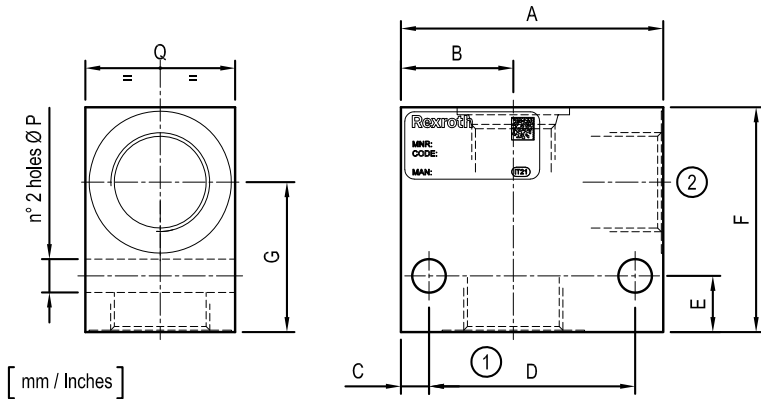
[mm / Inches]

Standard manifolds - Common cavity

Size 10 - Aluminium / Steel

CAVITY: CA-10A-2N

	Ordering code	Ports A-B	Weight kg (lbs)
	Aluminium	XOC1009294 R930095235	G 3/8
XOC1009209 R930095156		G 1/2	0.28 (0.62)
XOC1009211 R930095158		G 3/4	0.36 (0.79)
Steel	XOC1009295 R930095236	G 3/8	0.82 (1.81)
	XOC1009210 R930095157	G 1/2	0.77 (1.70)
	XOC1009212 R930095159	G 3/4	1.00 (2.21)

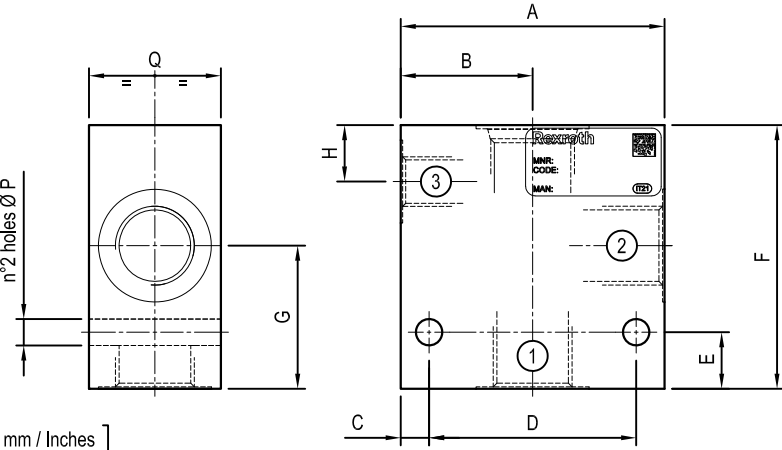


[mm / Inches]

60 (2.36)	25 (0.98)	7.5 (0.30)	45 (1.77)	15 (0.59)	60 (2.36)	41 (1.61)	-	-	-	-	-	-	-	7 (0.28)	35 (1.38)	-	-	G 3/8
60 (2.36)	25 (0.98)	7.5 (0.30)	45 (1.77)	15 (0.59)	60 (2.36)	41 (1.61)	-	-	-	-	-	-	-	7 (0.28)	35 (1.38)	-	-	G 1/2
70 (2.76)	30 (1.18)	7.5 (0.30)	55 (2.17)	15 (0.59)	60 (2.36)	40 (1.57)	-	-	-	-	-	-	-	9 (0.35)	40 (1.58)	-	-	G 3/4
A	B	C	D	E	F	G	H	I	L	M	N	O	P	Q	R	S	PORTS	

CAVITY: CA-10A-3C

	Ordering code	Ports		Weight kg (lbs)
		1-2	3	
Aluminium	XOC1009264 R930095210	G 3/8	G 1/4	0.34 (0.75)
	XOC1009266 R930095212	G 1/2	G 1/4	0.39 (0.86)
Steel	XOC1009265 R930095211	G 3/8	G 1/4	0.94 (2.07)
	XOC1009267 R930095213	G 1/2	G 1/4	1.10 (2.43)

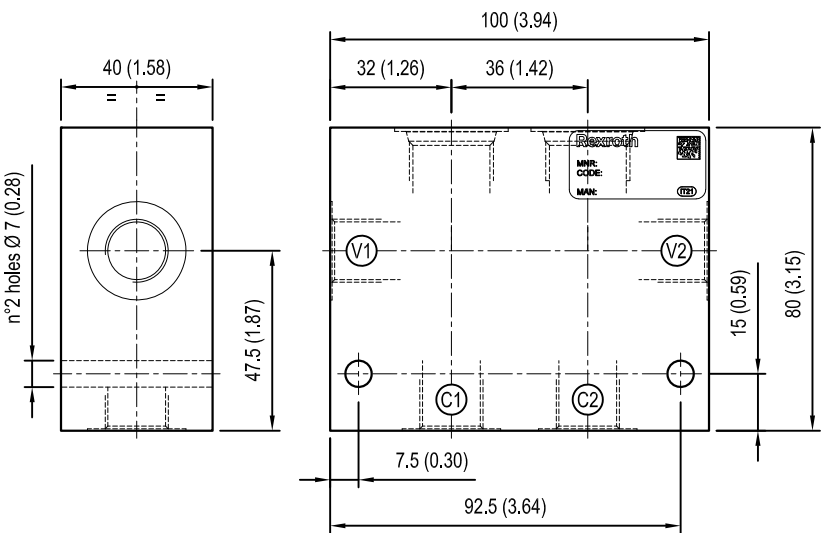


[mm / Inches]

60 (2.36)	30 (1.18)	7.5 (0.30)	45 (1.77)	15 (0.59)	70 (2.76)	38 (1.50)	15 (0.59)	-	-	-	-	-	-	7 (0.28)	35 (1.38)	-	-	G 3/8
70 (2.76)	35 (1.38)	7.5 (0.30)	55 (2.17)	15 (0.59)	70 (2.76)	38 (1.50)	15 (0.59)	-	-	-	-	-	-	7 (0.28)	35 (1.38)	-	-	G 1/2
A	B	C	D	E	F	G	H	I	L	M	N	O	P	Q	R	S	PORTS	

CAVITY: CA-10A-3C (DOUBLE CAVITY)

	Ordering code	Ports V1-V2-C1-C2	Weight kg (lbs)
		Aluminium	XOC1009187 R930095140
XOC1009189 R930095142	G 1/2		0.72 (1.59)
Steel	XOC1009186 R930095139	G 3/8	2.10 (4.63)
	XOC1009188 R930095141	G 1/2	2.03 (4.48)

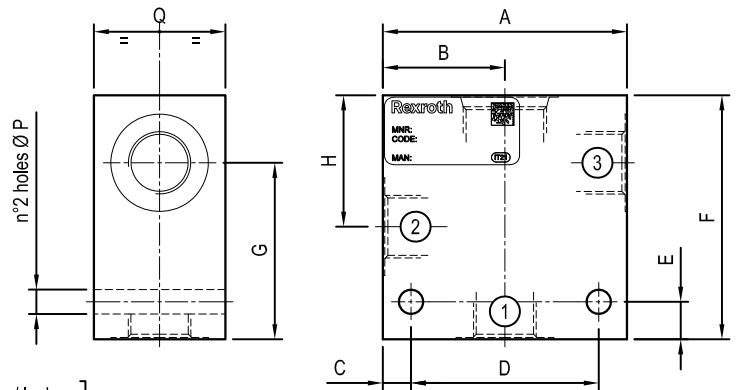


[mm / Inches]

Standard manifolds - Common cavity Size 10 - Aluminium / Steel

CAVITY: CA-10A-3N

	Ordering code	Ports 1-2-3	Weight kg (lbs)
Aluminium	XOC1009116 R930095066	G 1/4	0.35 (0.77)
	XOC1009115 R930095067	G 3/8	0.34 (0.75)
	XOC1009283 R930095228	G 1/2	0.38 (0.84)
Steel	XOC1009226 R930095173	G 1/4	0.98 (2.16)
	XOC1009227 R930095174	G 3/8	0.95 (2.09)
	XOC1009284 R930095229	G 1/2	1.07 (2.36)

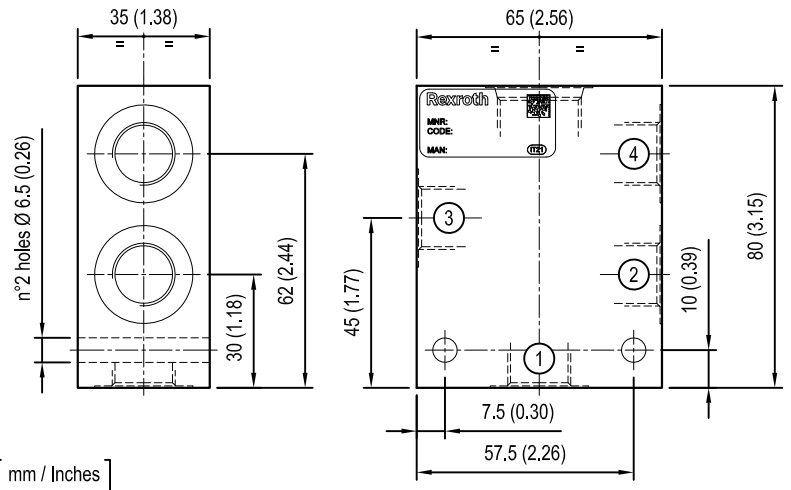


[mm / Inches]

65 (2.56)	32.5 (1.28)	7.5 (0.30)	50 (1.97)	10 (0.39)	65 (2.56)	47 (1.85)	35 (1.38)	-	-	-	-	-	-	6.5 (0.26)	35 (1.38)	-	-	-	G 1/4
65 (2.56)	32.5 (1.28)	7.5 (0.30)	50 (1.97)	10 (0.39)	65 (2.56)	47 (1.85)	35 (1.38)	-	-	-	-	-	-	6.5 (0.26)	35 (1.38)	-	-	-	G 3/8
70 (2.76)	35 (1.38)	10 (0.39)	50 (1.97)	15 (0.59)	70 (2.76)	52 (2.05)	35 (1.38)	-	-	-	-	-	-	6.5 (0.26)	35 (1.38)	-	-	-	G 1/2
A	B	C	D	E	F	G	H	I	L	M	N	O	P	Q	R	S	PORTS		

CAVITY: CA-10A-4N

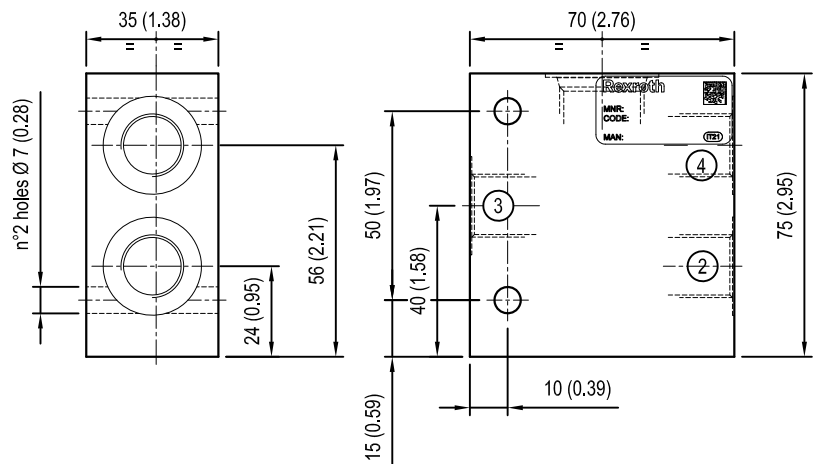
	Ordering code	Ports 1-2-3-4	Weight kg (lbs)
Aluminium	XOC1009117 R930095068	G 1/4	0.43 (0.95)
	XOC1009118 R930095069	G 3/8	0.41 (0.90)
Steel	XOC1009238 R930095185	G 1/4	1.21 (2.67)
	XOC1009239 R930095186	G 3/8	1.15 (2.54)



[mm / Inches]

CAVITY: CA-10A-4N
(Port 1 closed)

	Ordering code	Ports 1-2-3-4	Weight kg (lbs)
Aluminium	XOC1009252 R930095198	G 3/8	0.42 (0.93)
	XOC1009254 R930095200	G 1/2	0.40 (0.88)
Steel	XOC1009253 R930095199	G 3/8	1.18 (2.60)
	XOC1009255 R930095201	G 1/2	1.12 (2.47)



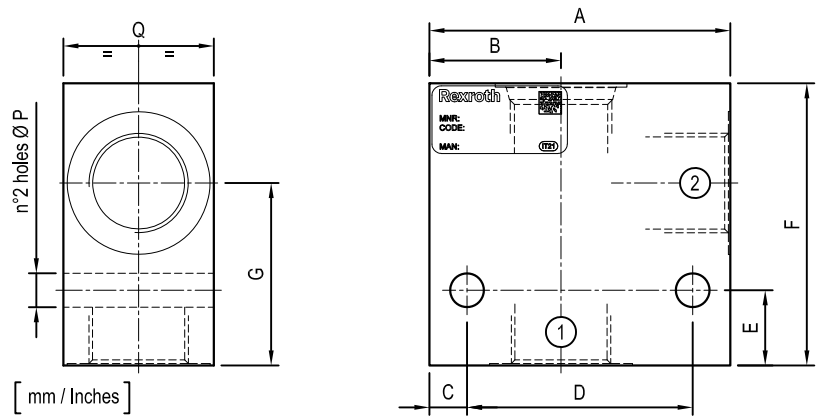
[mm / Inches]

Standard manifolds - Common cavity

Size 12 - Aluminium / Steel

CAVITY: CA-12A-2N

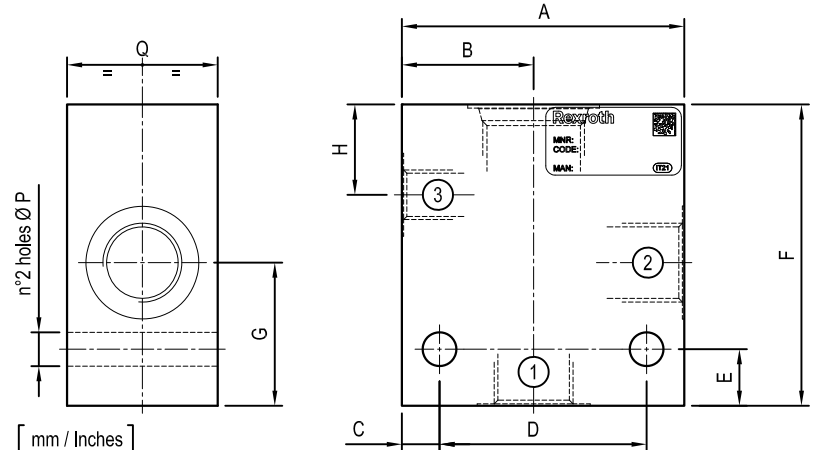
	Ordering code		Ports 1-2	Weight kg (lbs)
	Aluminium	XOC1009280 R930095226		G 1/2
XOC1009213 R930095160		G 3/4	0.52 (1.15)	
XOC1009215 R930095162		G 1	0.64 (1.41)	
Steel	XOC1009281 R930095227		G 1/2	1.51 (3.33)
	XOC1009214 R930095161		G 3/4	1.46 (3.22)
	XOC1009216 R930095163		G 1	1.79 (3.95)



70 (2.76)	40 (1.58)	10 (0.39)	50 (1.97)	20 (0.79)	75 (2.95)	48.5 (1.91)	-	-	-	-	-	-	-	9 (0.35)	40 (1.58)	-	-	G 1/2
80 (3.15)	35 (1.38)	10 (0.39)	60 (2.36)	20 (0.79)	75 (2.95)	48.5 (1.91)	-	-	-	-	-	-	-	9 (0.35)	40 (1.58)	-	-	G 3/4
80 (3.15)	35 (1.38)	10 (0.39)	60 (2.36)	20 (0.79)	75 (2.95)	48.5 (1.91)	-	-	-	-	-	-	-	9 (0.35)	50 (1.97)	-	-	G 1
A	B	C	D	E	F	G	H	I	L	M	N	O	P	Q	R	S	PORTS	

CAVITY: CA-12A-3C

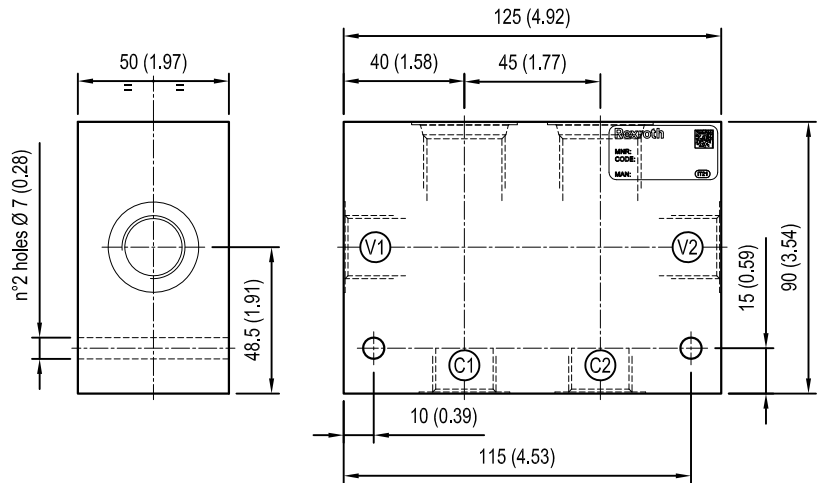
	Ordering code		Ports 1-2	3	Weight kg (lbs)
	Aluminium	XOC1009268 R930095214		G 1/2	G 1/4
XOC1009270 R930095216		G 3/4	G 1/4	0.59 (1.30)	
Steel	XOC1009269 R930095215		G 1/2	G 1/4	1.51 (3.33)
	XOC1009271 R930095217		G 3/4	G 1/4	1.65 (3.64)



75 (2.95)	35 (1.38)	10 (0.39)	55 (2.17)	15 (0.59)	80 (3.15)	38 (1.50)	24 (0.95)	-	-	-	-	-	-	9 (0.35)	40 (1.58)	-	-	G 1/2
75 (2.95)	35 (1.38)	10 (0.39)	55 (2.17)	15 (0.59)	90 (3.54)	48 (1.89)	24 (0.95)	-	-	-	-	-	-	9 (0.35)	40 (1.58)	-	-	G 3/4
A	B	C	D	E	F	G	H	I	L	M	N	O	P	Q	R	S	PORTS	

CAVITY: CA-12A-3C (DOUBLE CAVITY)

	Ordering code		Ports V1-V2-C1-C2	Weight kg (lbs)
	Aluminium	XOC1009191 R930095145		G 1/2
XOC1009193 R930095147		G 3/4	1.26 (2.78)	
Steel	XOC1009190 R930095144		G 1/2	3.69 (8.14)
	XOC1009192 R930095146		G 3/4	3.54 (7.80)

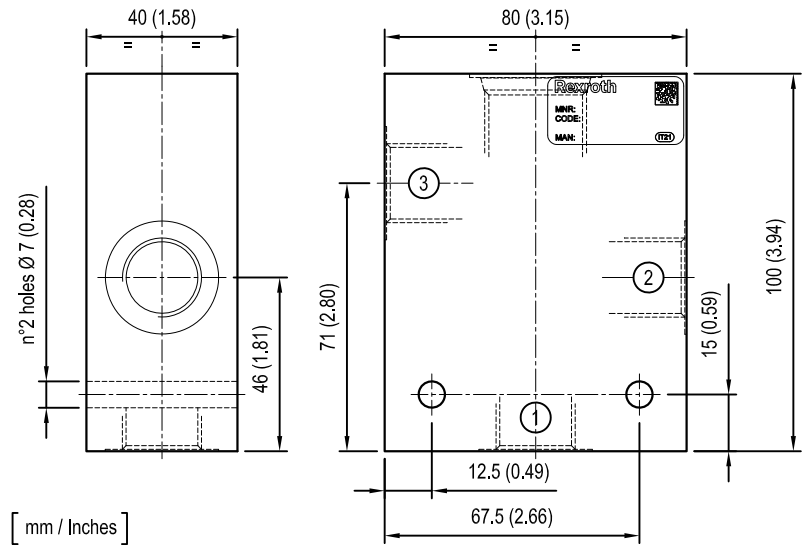


[mm / Inches]

Standard manifolds - Common cavity Size 12 - Aluminium / Steel

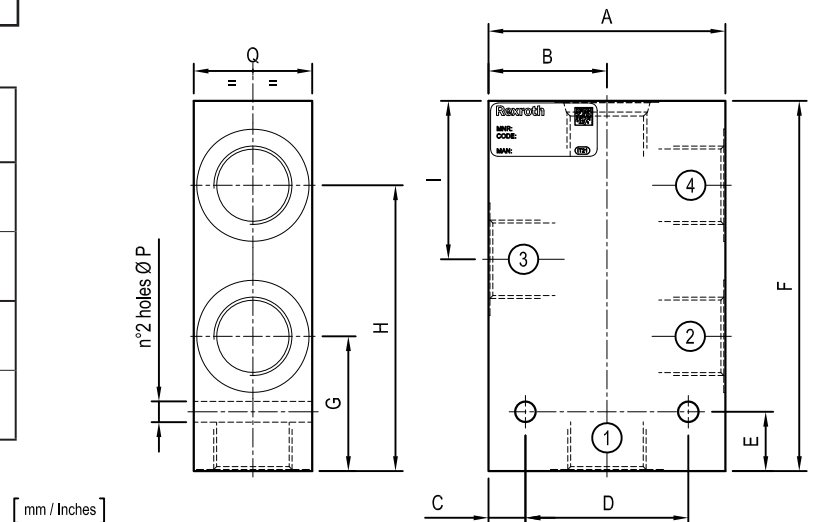
CAVITY: CA-12A-3N

	Ordering code	Ports 1-2-3	Weight kg (lbs)
Aluminium	XOC1009205 R930095152	G 1/2	0.73 (1.61)
	XOC1009208 R930095155	G 3/4	0.69(1.52)
Steel	XOC1009206 R930095153	G 1/2	2.04 (4.50)
	XOC1009207 R930095154	G 3/4	1.93 (4.26)



CAVITY: CA-12A-4N

	Ordering code	Ports 1-2-3-4	Weight kg (lbs)
Aluminium	XOC1009240 R930095187	G 3/4	0.85 (1.87)
	XOC1009242 R930095189	G 1	1.26 (2.78)
Steel	XOC1009241 R930095188	G 3/4	2.40 (5.29)
	XOC1009243 R930095190	G 1	3.53 (7.78)



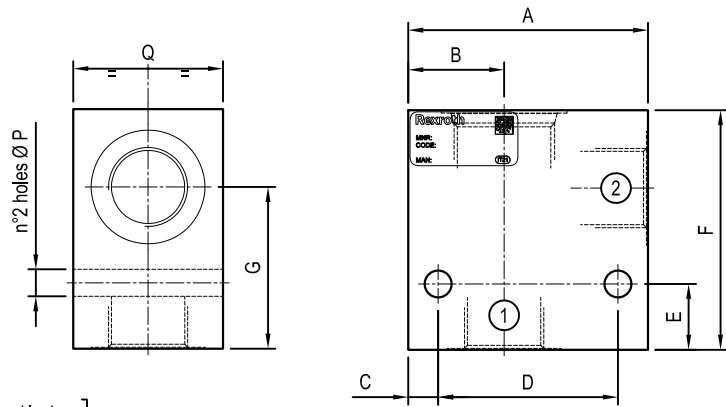
80	40	12.5	55	20	125	45.5	96.5	53.5	-	-	-	-	7	40	-	-	G 3/4
(3.15)	(1.58)	(0.49)	(2.17)	(0.79)	(4.92)	(1.79)	(3.80)	(2.11)	-	-	-	-	(0.28)	(1.58)	-	-	
90	45	17.5	55	20	130	50.5	101.5	53.5	-	-	-	-	7	50	-	-	G 1
(3.54)	(1.77)	(0.69)	(2.17)	(0.79)	(5.12)	(1.99)	(3.40)	(2.11)	-	-	-	-	(0.28)	(1.97)	-	-	
A	B	C	D	E	F	G	H	I	L	M	N	O	P	Q	R	S	PORTS

Standard manifolds - Common cavity

Size 16 - Aluminium / Steel

CAVITY: CA-16A-2N

	Ordering code	Ports 1-2	Weight kg (lbs)
Aluminium	XOC1009217 R930095164	G 3/4	0.69 (1.52)
	XOC1009219 R930095166	G 1	0.75 (1.65)
Steel	XOC1009218 R930095165	G 3/4	1.94 (4.28)
	XOC1009220 R930095167	G 1	2.11 (4.65)

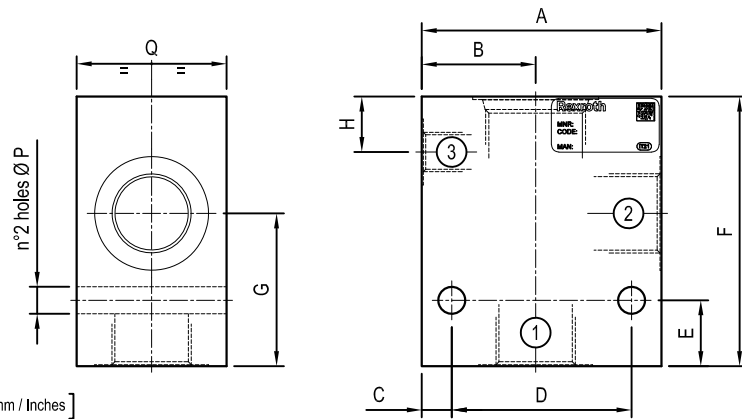


[mm / Inches]

80 (3.15)	32 (1.26)	10 (0.39)	60 (2.36)	22 (0.87)	80 (3.15)	54 (2.13)	-	-	-	-	-	-	-	9 (0.35)	50 (1.97)	-	-	-	G 3/4
90 (3.54)	37 (1.46)	10 (0.39)	60 (2.36)	22 (0.87)	80 (3.15)	54 (2.13)	-	-	-	-	-	-	9 (0.35)	50 (1.97)	-	-	-	-	G 1
A	B	C	D	E	F	G	H	I	L	M	N	O	P	Q	R	S	PORTS		

CAVITY: CA-16A-3C

	Ordering code	Ports 1-2	3	Weight kg (lbs)
Aluminium	XOC1009274 R930095220	G 3/4	G 1/4	0.80 (1.76)
	XOC1009272 R930095218	G 1	G 1/4	0.87 (1.92)
Steel	XOC1009275 R930095221	G 3/4	G 1/4	2.23 (4.92)
	XOC1009273 R930095219	G 1	G 1/4	2.45 (5.40)

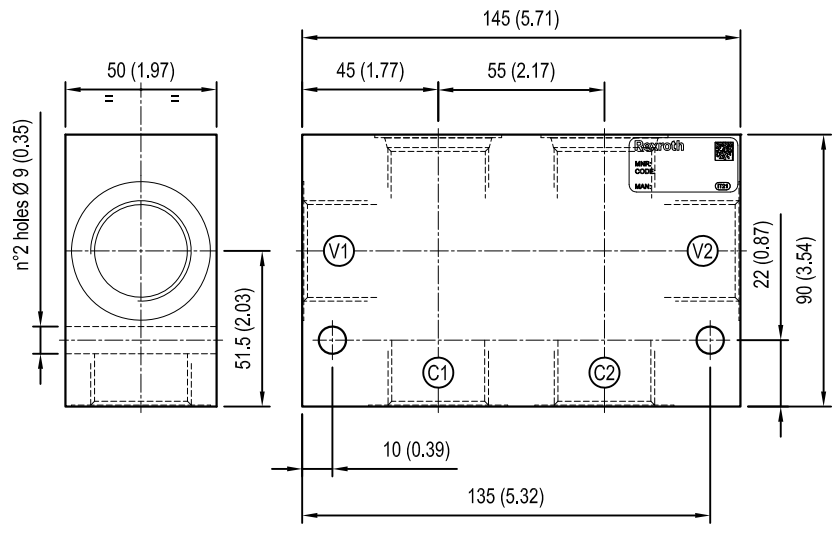


[mm / Inches]

80 (3.15)	38 (1.50)	10 (0.39)	60 (2.36)	22 (0.87)	90 (3.54)	51 (2.01)	18.5 (0.73)	-	-	-	-	-	-	9 (0.35)	50 (1.97)	-	-	-	G 3/4
90 (3.54)	40 (1.58)	10 (0.39)	70 (2.76)	22 (0.87)	90 (3.54)	51 (2.01)	18.5 (0.73)	-	-	-	-	-	-	9 (0.35)	50 (1.97)	-	-	-	G 1
A	B	C	D	E	F	G	H	I	L	M	N	O	P	Q	R	S	PORTS		

CAVITY: CA-16A-3C (DOUBLE CAVITY)

	Ordering code	Ports V1-V2-C1-C2	Weight kg (lbs)
Aluminium	XOC1009195 R930095149	G 1	1.34 (2.95)
Steel	XOC1009194 R930095148	G 1	3.74 (8.25)



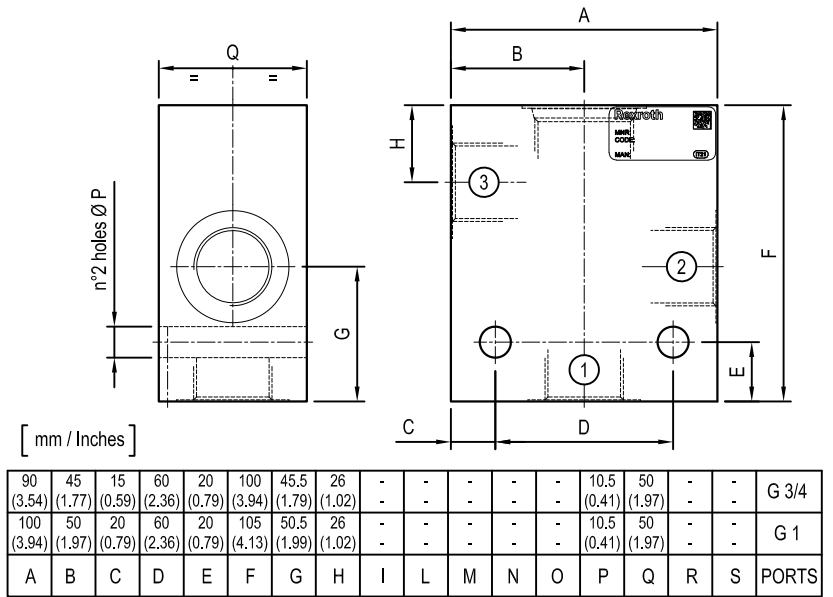
[mm / Inches]

Standard manifolds - Common cavity

Size 16 - Aluminium / Steel

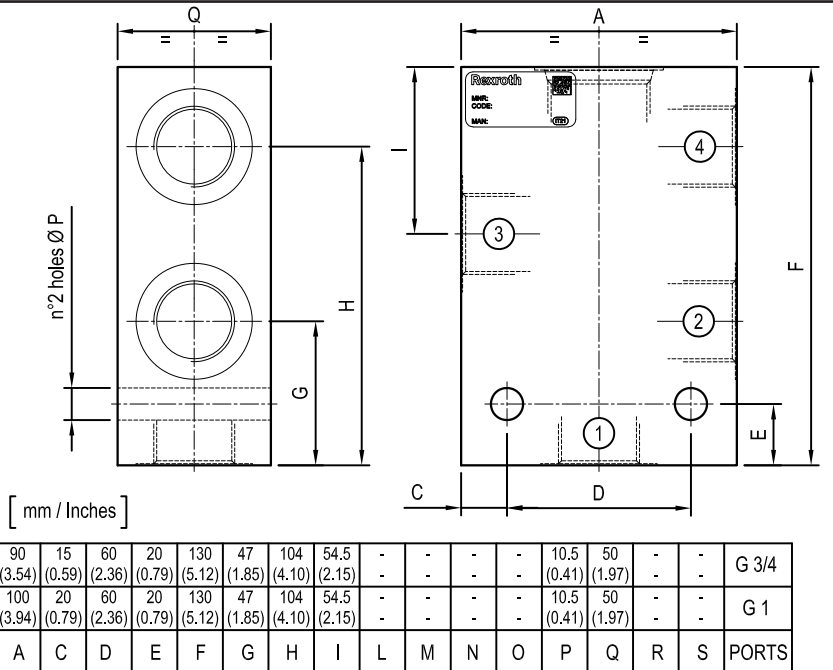
CAVITY: CA-16A-3N

	Ordering code	Ports 1-2-3	Weight kg (lbs)
Aluminium	XOC1009228 R930095175	G 3/4	0.98 (2.16)
	XOC1009230 R930095177	G 1	1.11 (2.45)
Steel	XOC1009229 R930095176	G 3/4	2.76 (6.09)
	XOC1009231 R930095178	G 1	3.11 (6.86)



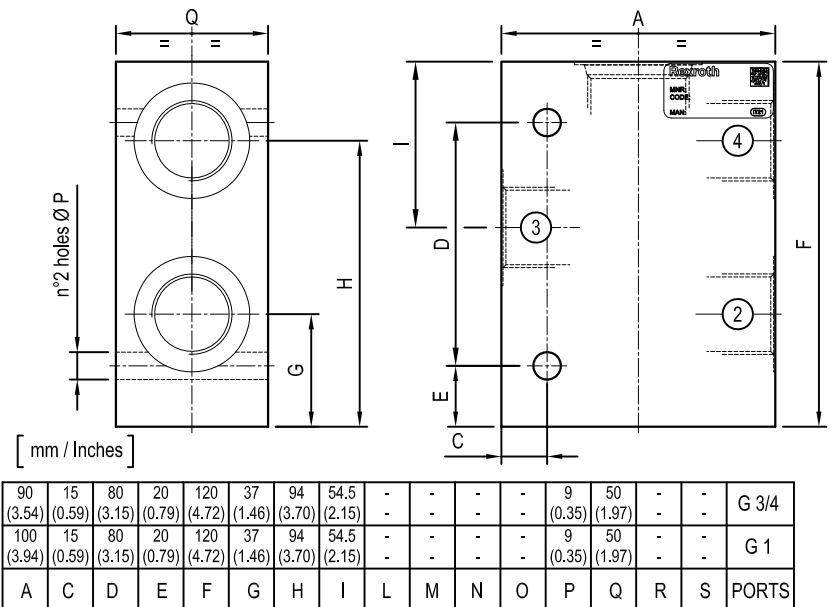
CAVITY: CA-16A-4N

	Ordering code	Ports 1-2-3-4	Weight kg (lbs)
Aluminium	XOC1009244 R930095191	G 3/4	1.28 (2.82)
	XOC1009246 R930095193	G 1	1.36 (3.00)
Steel	XOC1009245 R930095192	G 3/4	3.59 (7.92)
	XOC1009247 R930095194	G 1	3.81 (8.40)



CAVITY: CA-16A-4N
(Port 1 closed)

	Ordering code	Ports 1-2-3-4	Weight kg (lbs)
Aluminium	XOC1009256 R930095202	G 3/4	1.19 (2.62)
	XOC1009258 R930095204	G 1	1.28 (2.82)
Steel	XOC1009257 R930095203	G 3/4	3.34 (7.36)
	XOC1009259 R930095205	G 1	3.58 (7.89)

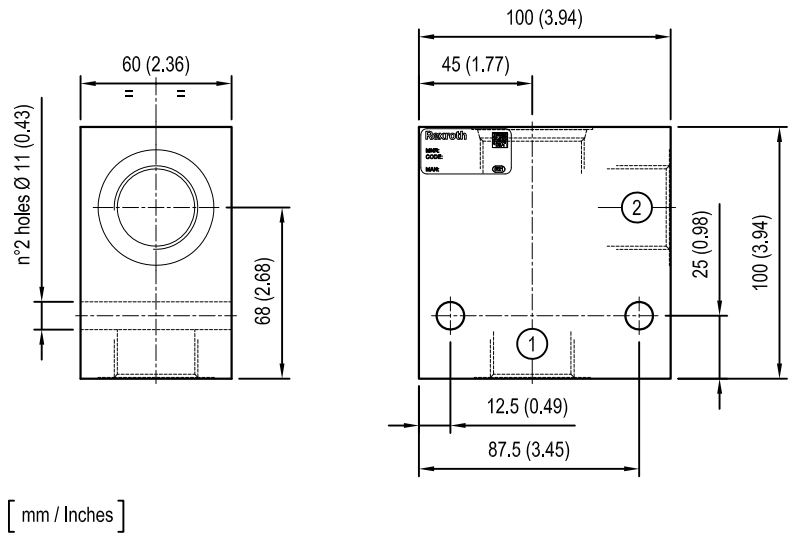


Standard manifolds - Common cavity

Size 20 - Aluminium / Steel

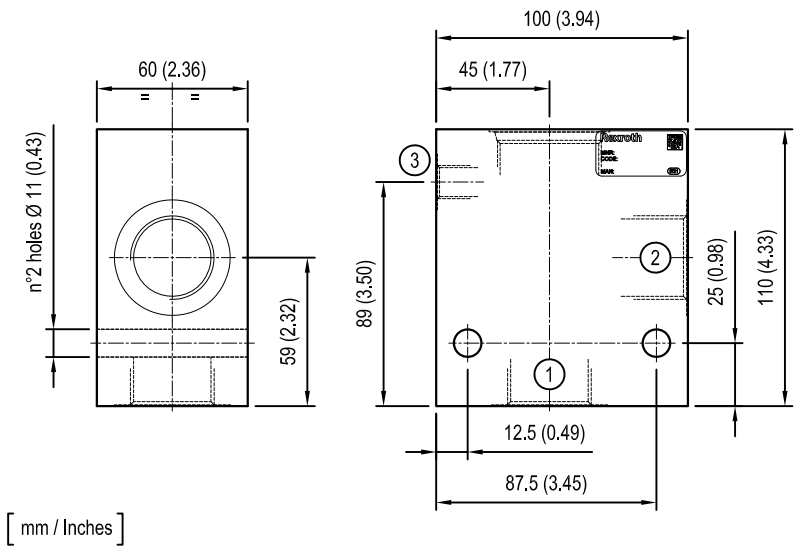
CAVITY: CA-20A-2N

	Ordering code	Ports 1-2	Weight kg (lbs)
Aluminium	XOC1009223 R930095170	G 1	1.3 (2.87)
	XOC1009221 R930095168	G 1-1/4	1.21 (2.67)
Steel	XOC1009224 R930095171	G 1	3.65 (8.05)
	XOC1009222 R930095169	G 1-1/4	3.40 (3.50)



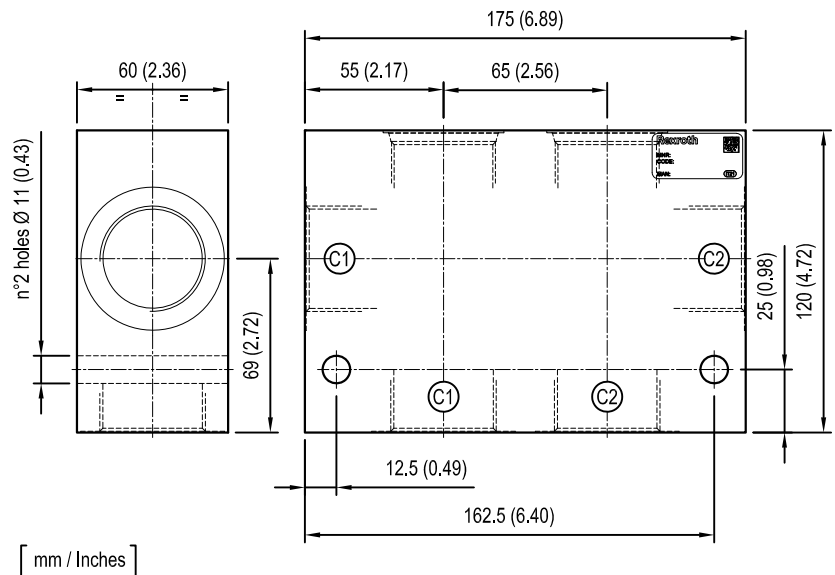
CAVITY: CA-20A-3C

	Ordering code	Ports 1-2	3	Weight kg (lbs)
Aluminium	XOC1009278 R930095224	G 1	G 1/4	1.43 (3.15)
	XOC1009276 R930095222	G 1-1/4	G 1/4	1.35 (2.98)
Steel	XOC1009279 R930095225	G 1	G 1/4	4.02 (8.86)
	XOC1009277 R930095223	G 1-1/4	G 1/4	3.78 (8.33)



CAVITY: CA-20A-3C (DOUBLE CAVITY)

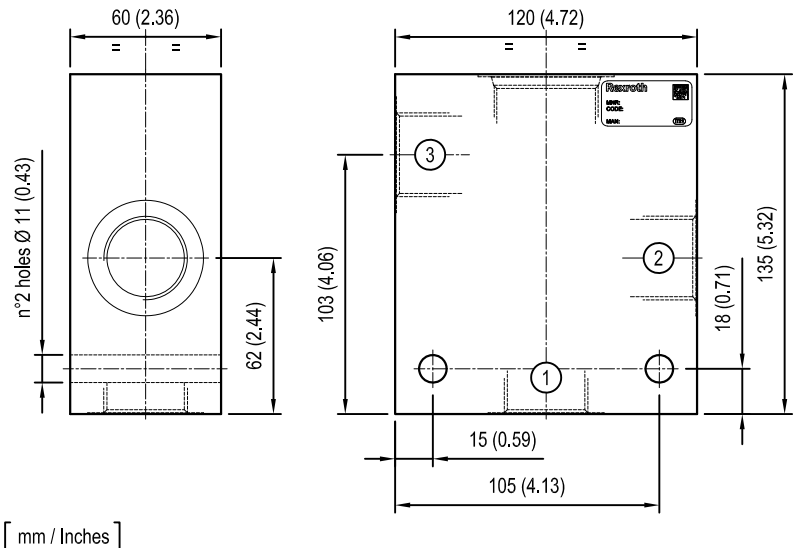
	Ordering code	Ports V1-V2-C1-C2	Weight kg (lbs)
Aluminium	XOC1009197 R930095151	G 1-1/4	2.53 (5.58)
Steel	XOC1009196 R930095150	G 1-1/4	7.11 (15.68)



Standard manifolds - Common cavity Size 20 - Aluminium / Steel

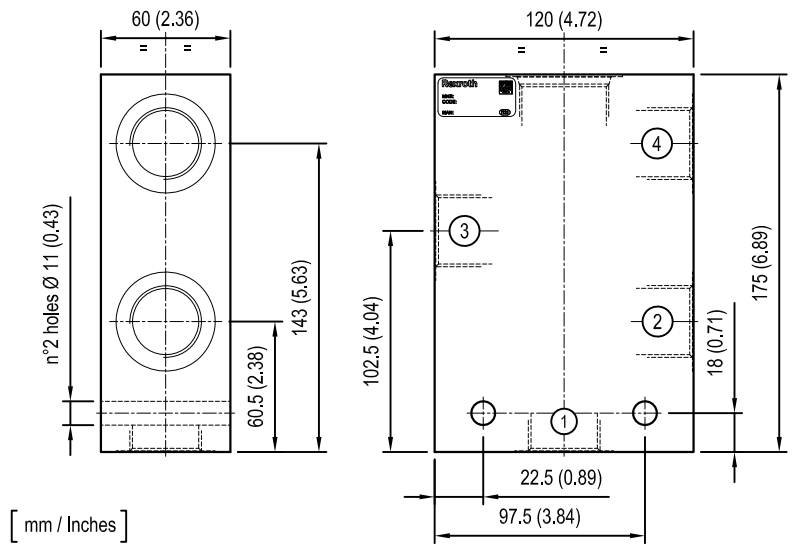
CAVITY: CA-20A-3N

	Ordering code	Ports 1-2-3	Weight kg (lbs)
Aluminium	XOC1009234 R930095181	G 1	2.15 (1.61)
	XOC1009232 R930095179	G 1-1/4	2.02(1.52)
Steel	XOC1009235 R930095182	G 1	6.02 (4.50)
	XOC1009233 R930095180	G 1-1/4	5.66 (4.26)



CAVITY: CA-20A-4N

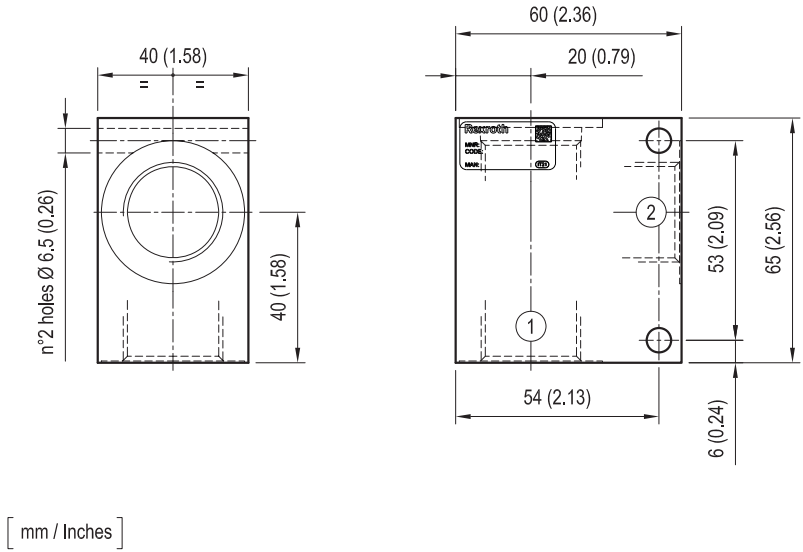
	Ordering code	Ports 1-2-3-4	Weight kg (lbs)
Aluminium	XOC1009248 R930095195	G 1	2.78 (6.13)
	XOC1009250 R930095030	G 1-1/4	2.60 (5.73)
Steel	XOC1009249 R930095196	G 1	7.80 (17.20)
	XOC1009251 R930095197	G 1-1/4	7.30 (16.10)



Standard manifolds - Special cavity Aluminium / Steel

CAVITY: 017-E

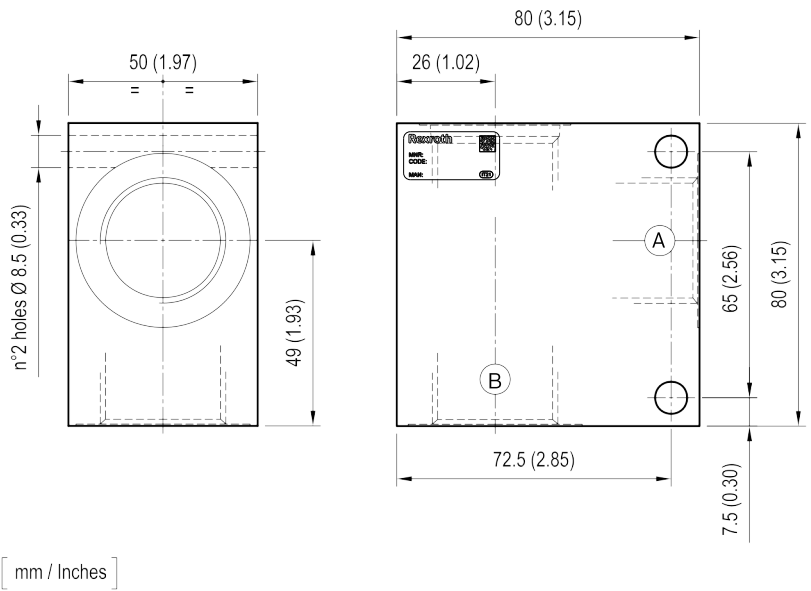
	Ordering code	Ports 1-2	Weight kg (lbs)
Aluminium	XOC1009015 R930095071	G 1/2	0.32 (0.71)
	XOC1009012 R930095049	G 3/4	0.30 (0.66)
Steel	XOC1009074 R930095238	G 1/2	0.89 (1.96)
	XOC1009073 R930095072	G 3/4	0.83 (1.83)



[mm / Inches]

CAVITY: 021-E

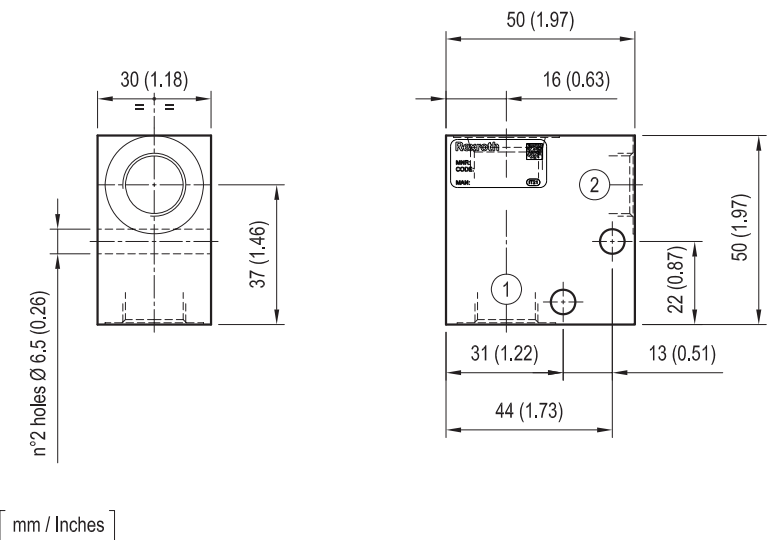
	Ordering code	Ports 1-2	Weight kg (lbs)
Aluminium	XOC1009017 R930095134	G 3/4	0.68 (1.50)
	XOC1009019 R930095025	G 1	0.65 (1.43)
Steel	XOC1009075 R930095047	G 3/4	1.89 (4.17)
	XOC1009076 R930095070	G 1	1.78 (3.92)



[mm / Inches]

CAVITY: 019-E

	Ordering code	Ports 1-2	Weight kg (lbs)
Aluminium	XOC1009103 R930095060	G 1/4	0.17 (0.38)
	XOC1009054 XOC1009054	G 3/8	0.16 (0.35)
Steel	XOC1009102 R930095059	G 1/4	0.46 (1.01)
	XOC1009101 R930095058	G 3/8	0.44 (0.97)

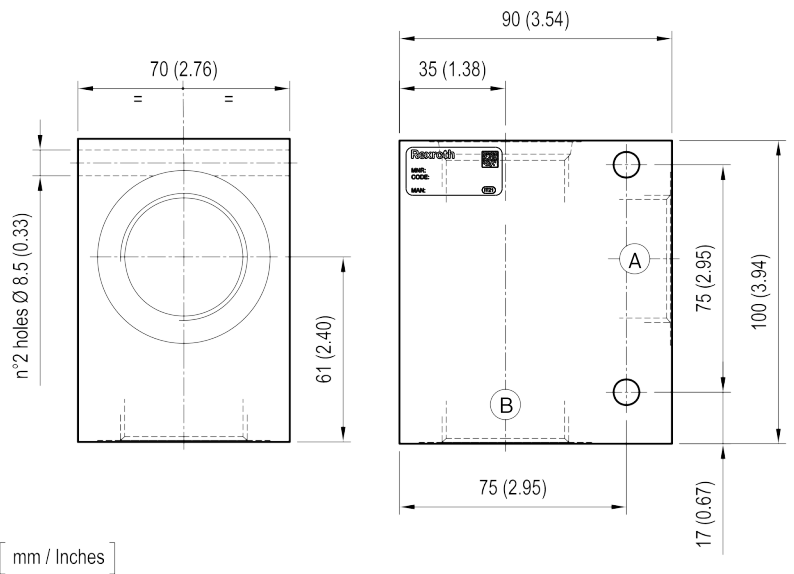


[mm / Inches]

Standard manifolds - Special cavity Aluminium / Steel

CAVITY: 004

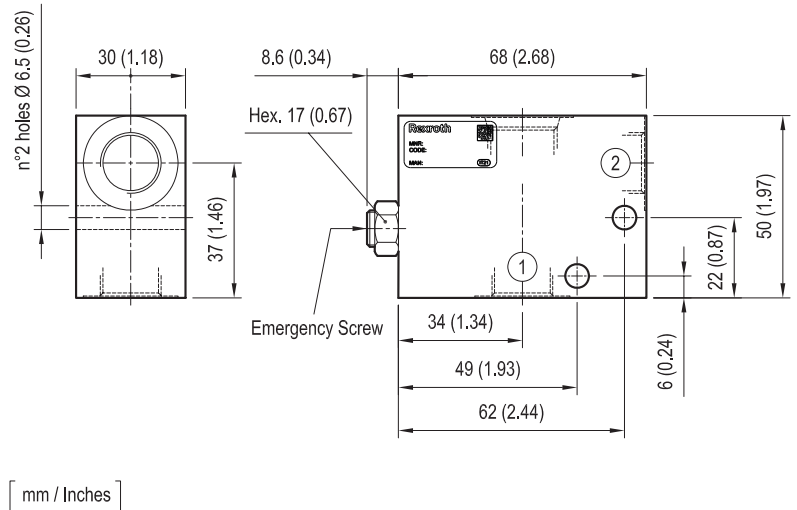
	Ordering code	Ports 1-2	Weight kg (lbs)
Aluminium	XOC1009040 R930095052	G 1	1.35 (2.98)
	XOC1009041 R930095053	G 1-1/4	1.28 (2.82)
Steel	XOC1009122 R930095061	G 1	3.74 (8.25)
	XOC1009056 R930095055	G 1-1/4	3.52 (7.76)



Manifolds with emergency screw Aluminium / Steel

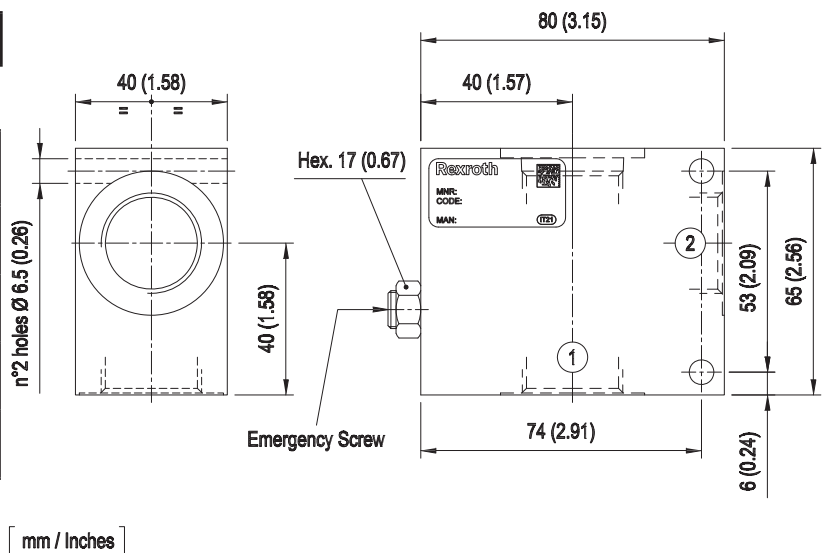
CAVITY: CA-08A-2N

	Ordering code	Ports 1-2	Weight kg (lbs)
Aluminium	OE150009 R934001566	G 1/4	0.26 (0.57)
	OE150002 R934001554	G 3/8	0.25 (0.55)
Steel	OE150009005500 R934001567	G 1/4	0.69 (1.52)
	OE150002005500 R934001555	G 3/8	0.66 (1.45)



CAVITY: 017-E

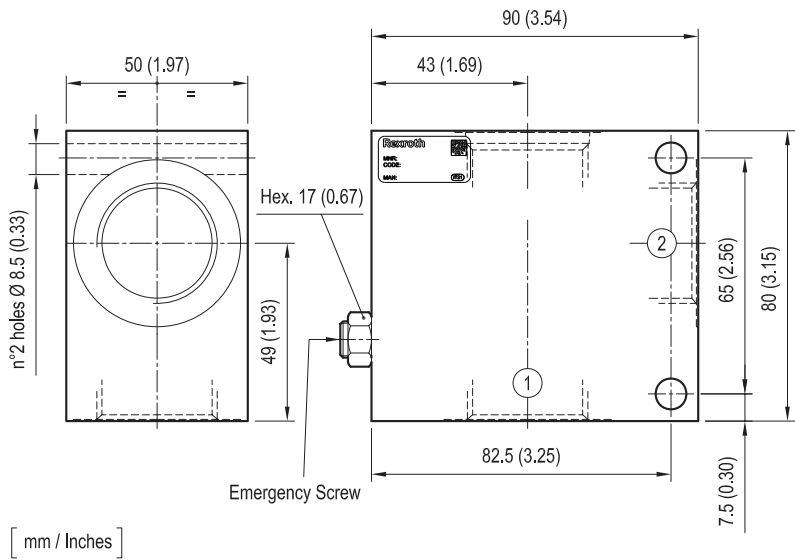
	Ordering code	Ports 1-2	Weight kg (lbs)
Aluminium	OE150003 R934001557	G 1/2	0.48 (1.06)
	OE150004 R901121824	G 3/4	0.47 (1.04)
Steel	OE150003005500 R934001558	G 1/2	1.31 (2.89)
	OE150004005500 R934001561	G 3/4	1.24 (2.73)



Manifolds with emergency screw Aluminium / Steel

CAVITY: 021-E

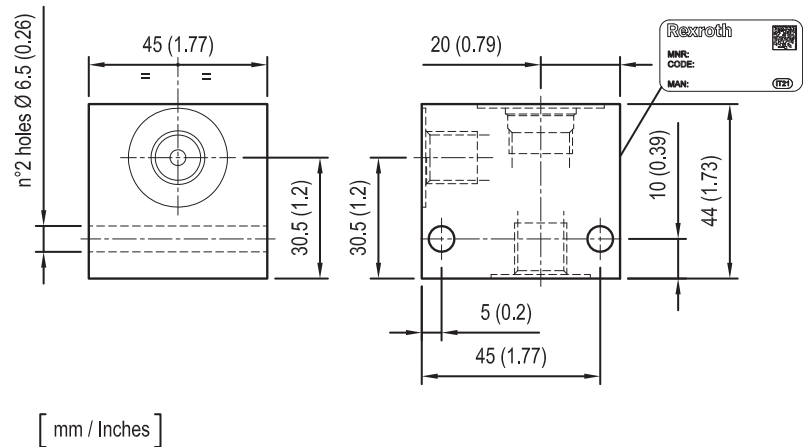
	Ordering code	Ports 1-2	Weight kg (lbs)
Aluminium	OE150005 R934001563	G 1	0.77 (1.70)
Steel	OE150005005500 R934001564	G 1	2.10 (4.63)



Manifolds with SUN cavity Aluminium / Steel

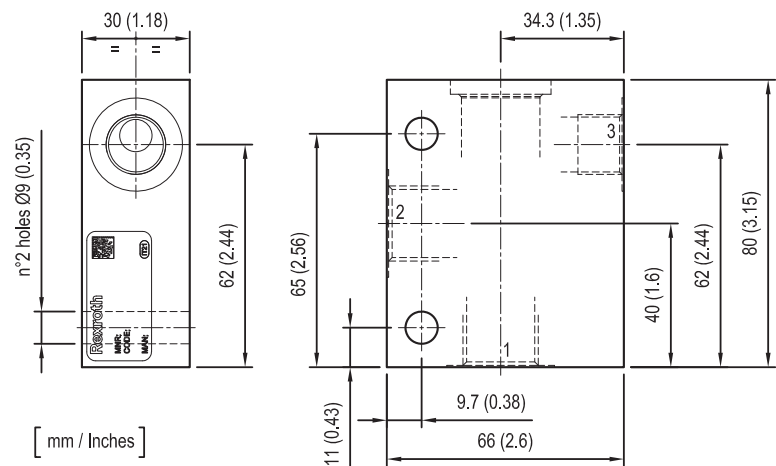
CAVITY: R/T-08A

	Ordering code	Ports P-T	Weight kg (lbs)
High Pres. Steel	XR901336583 R930095074	G 1/4	0.68 (1.5)
Steel	XR900763751 R930095046	G 1/4	0.75 (1.65)



CAVITY: R/T-11A

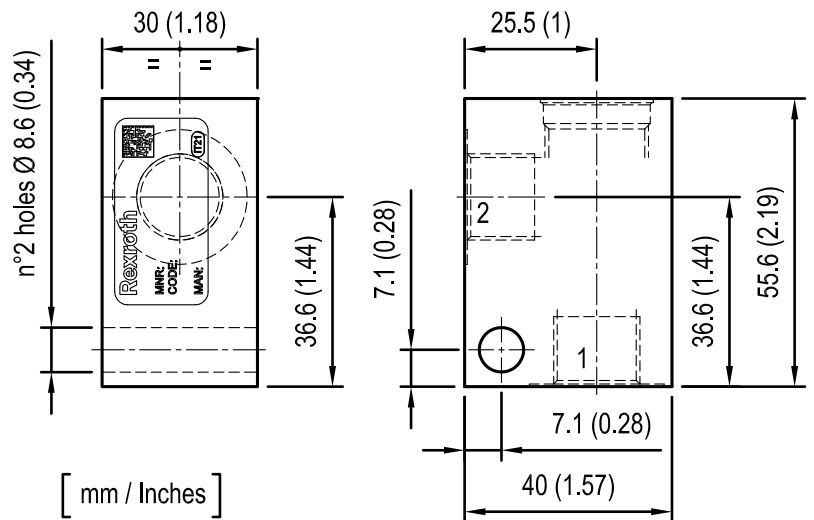
	Ordering code	Ports 1-2 3	Weight kg (lbs)
High Pres. Steel	XR901369279 R930095077	G 3/8 G 3/8	1.22 (2.7)



Manifolds with SUN cavity Aluminium / Steel

CAVITY: R/T-13A

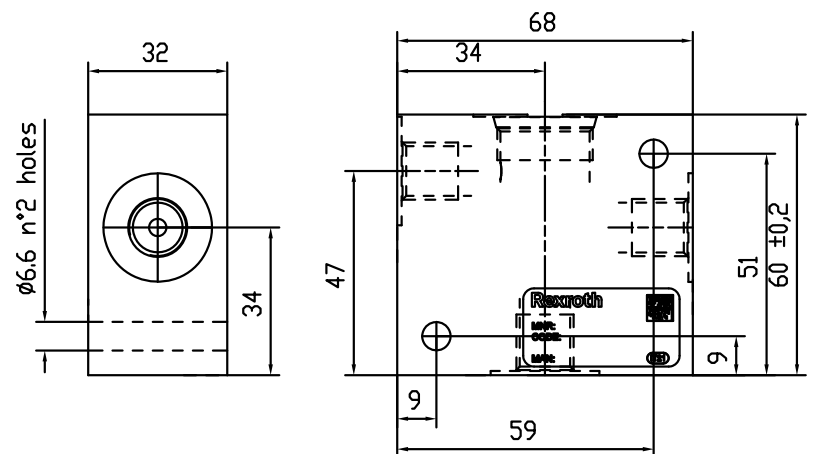
	Ordering code	Ports 1-2	Weight kg (lbs)
Alumin.	XOC1009327 R930095120	G 3/8	0.15 (0.33)
Steel	XOC1009332 R930095123	G 3/8	0.38 (0.84)
High press. Steel	XOC1031509 R930095128	G 3/8	0.38 (0.84)



Manifold with Rexroth special cavity

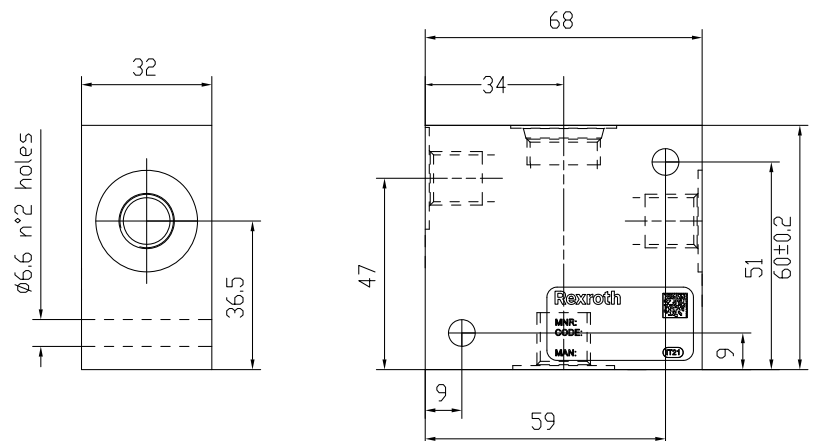
CAVITY R/LA (R/FTDRE4K)

	Ordering code	Ports 1-2	Weight kg (lbs)
Aluminium	XR901371374 R930095078	G1/4	0.31 (0.68)
Cast iron	XR900862813 R930095048	G1/4	0.79 (1.38)



CAVITY R/FTDRE2K

	Ordering code	Ports 1-2	Weight kg (lbs)
Aluminium	XR901431449 R930095079	G1/4	0.30 (0.66)



CAVITY R/DRE05

	Ordering code	Ports 1-2	Weight kg (lbs)
Aluminium	XR901493708 R930095080	G1/2	0.8 (1.76)

