



k.84

1/4" - 2" EN 10226-1 DIN 16722
M3



HIGH TEMPERATURE RESISTANCE

Now approved for **HTB** use (Hochtemperaturbest
Class B 0,1 (0,1 bar @650°C for at least 30 minut



Quality

- 24h 100% seal test guaranteed
- Dual sealing system allows valve to be operated in either direction making installation easier
- No metal-to-metal moving parts
- No maintenance ever required
- Handle clearly shows ball position
- Silicone-free lubricant on all seals
- Handle stops on body to avoid stress at stem
- Chrome plated brass ball for longer life with rinse hole

Body

- Valve length according to DIN 16722 M3 for sizes from 3/8" to 2" (DN10 to DN50). Size 1/4" (DN 8) complies to DIN 3202 M3.
- Finest brass according to EN 12165 and EN 12164 specifications
- Hot forged sand blasted external nickel plated brass body and cap sealed with Loctite® or equivalent threads sealant

Stem

- Blowout-proof nickel plated brass stem
- Maintenance-free, double FPM O-rings at the stem for maximum safety

Sealing

- Pure PTFE self-lubricating seats with flexible-lip design

Threads

- EN 10226-1, ISO 7/1, ISO 228 parallel female by female threads

PED Directive

- Assessment according to Pressure Equipment Directive 2014/68/UE module B+D by ICIM (0425)

Flow

- Full port to DIN 3357 for maximum flow

Handle

- Geomet® carbon steel handle with thick PVC dip coating. Handle coating offers both thermal and electrical protection
- **WARNING:** do not exceed reasonable temperature and/or electrical load
- Handle removable with valve in service

Working pressure & temperature

- 40 bar (600 PSI) non-shock cold working pressure
- -40°C to +170°C (-40°F to +350°F)
- For use with dangerous fluids temperature rating is -20°C to +60°C (-4°F to +140°F) and pressure rating is 5 bar (72 PSI) / **HTB** Class B 0,1
- **WARNING:** freezing of the fluid in the installation may severely damage the valve

Options

- Stem extension
- T-handle
- Oval lockable handle
- Stainless steel handle (1.4016 / AISI 430)
- Patented locking device
- Stubby handle
- **RuB** memory stop designed to be installed with our stubby handle

Upon request

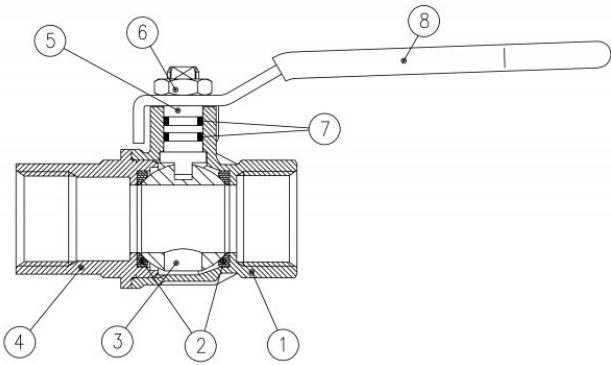
- Stainless steel ball (1.4401 / AISI 316)
- Glass filled PTFE seals
- Custom design

Approved by or in compliance with

- DIN-DVGW (Germany) – MOP 5 B 0,1
- SVGW (Switzerland)
- GOST-R (Russia)
- EAC – Declaration of conformity (Russia, Kazakhstan, Belarus)
- BSI Group (United Kingdom)
- RoHS Compliant (EU)

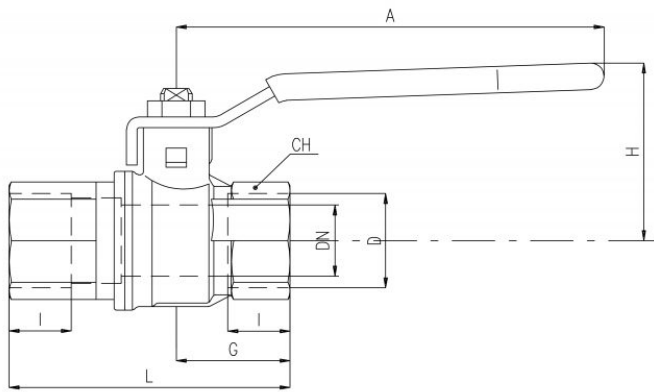
NOTE: approvals apply to specific configurations/sizes only.





	PART DESCRIPTION	Q.TY	MATERIAL
1	Nickel plated body (external treatment)	1	CW617N
2	Ball seat	2	PTFE
3	Chrome plated ball with rinse hole (read rinse hole on sizes from 3/4" up to 2")	1	CW617N
4	Nickel plated end-cap (external treatment)	1	CW617N
5	Nickel plated stem O-ring design	1	CW617N
6	Geomet® nut	1	CB4FF (EN10263-2)
7	O-Ring	2	FPM
8	Yellow PVC coated Geomet® steel handle	1	DD11 (EN10111)

1.1/4"- 2" hollow ball

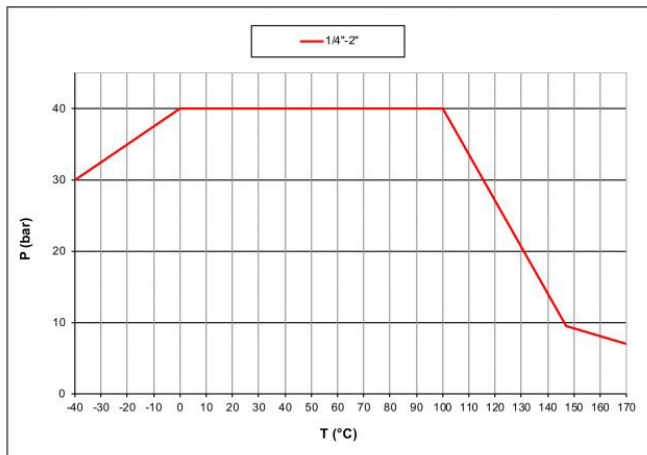


DN shows the nominal flow diameter. Actual flow diameter complies with full port DIN 3357 part 4.

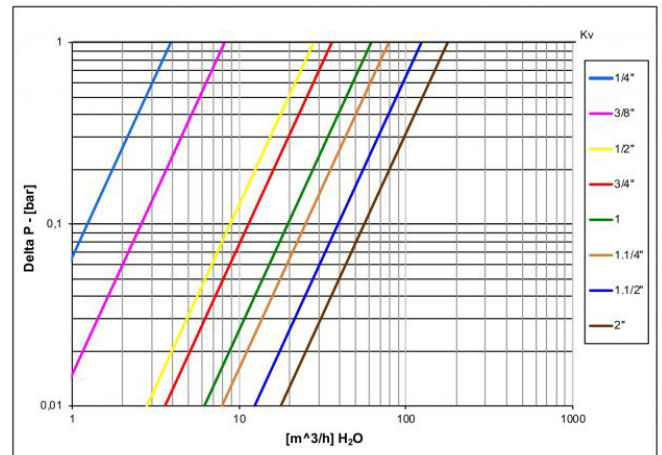
Ball valves are marked CE on handle from 1.1/4" to 2" as follow:
CE 0425 cat IIIB+D PS: 5 GAS TS1:-20°C TS2:+60°C

Compliant to CE 2014/68/UE product Equipment category III Module B+D								
Code	S84B05	S84C05	S84D05	S84E05	S84F05	S84G05	S84H05	S84I05
D (inch)	1/4	3/8	1/2	3/4	1	1 1/4	1 1/2	2
DN (mm)	8	10	15	20	25	32	40	50
I (mm)	12	12	15.5	17	21	23	23	26.5
L (mm)	50	60	75	80	90	110	120	140
G (mm)	22.5	22.5	29.5	32	40.5	46.5	51	60.5
A (mm)	82	82	100	120	120	158	158	158
H (mm)	38	38	43	50	54	73	79	86
CH (mm)	17	20	25	31	40	49	54	68.5
Kv(m3/h)	3.9	8.2	28	36	62	79	124	178

Pressure-temperature chart



Pressure drop chart



Ask for additional information on the whole range of **RuB** products and consult with your supplier for special applications.
For complete disclaimer: www.rubvalves.com/disclaimer