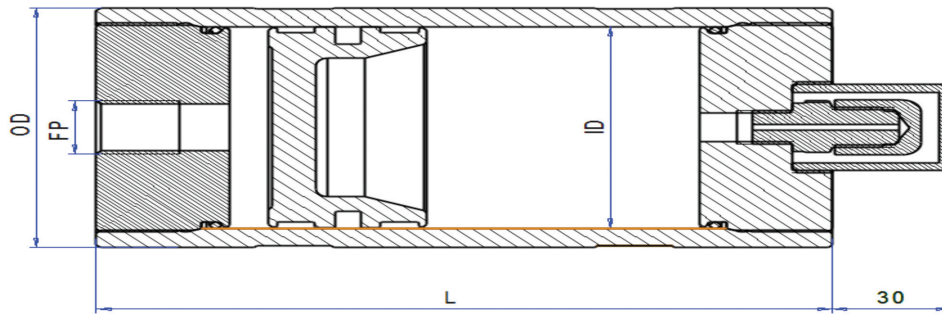


HYDROLL STANDARD PISTON ACCUMULATORS

HPS type 10 one piece threaded End Flange -design

Product Name	Max Allowable Pressure / bar	Capacity / litre	Dimensions ID / OD / L	Standard Fluid Port	Weight / KG
--------------	------------------------------	------------------	------------------------	---------------------	-------------



ID Ø 50

PED / SELO / ASME					
HPS10-250-050-0001	250	0.1	50/60/146	R3/4"	2.1
HPS10-250-050-0002	250	0.2	50/60/197	R3/4"	2.4
HPS10-250-050-0003	250	0.3	50/60/248	R3/4"	2.7
HPS10-250-050-0004	250	0.4	50/60/299	R3/4"	3.1
HPS10-250-050-0005	250	0.5	50/60/350	R3/4"	3.4
HPS10-250-050-0007	250	0.7	50/60/452	R3/4"	4.1
HPS10-250-050-0010	250	1	50/60/604	R3/4"	5.2

PED / SELO / ASME					
HPS10-350-050-0001	350	0.1	50/60/130	R3/4"	1.9
HPS10-350-050-0002	350	0.2	50/60/181	R3/4"	2.2
HPS10-350-050-0003	350	0.3	50/60/232	R3/4"	2.6
HPS10-350-050-0004	350	0.4	50/60/283	R3/4"	3.0
HPS10-350-050-0005	350	0.5	50/60/334	R3/4"	3.3
HPS10-350-050-0007	350	0.7	50/60/435	R3/4"	4.0
HPS10-350-050-0010	350	1	50/60/588	R3/4"	5.0

ID Ø 60

PED / SELO / ASME					
HPS10-350-060-0001	350	0.1	60/70/121	R3/4"	2.7
HPS10-350-060-0002	350	0.2	60/70/156	R3/4"	3.0
HPS10-350-060-0003	350	0.3	60/70/192	R3/4"	3.3
HPS10-350-060-0004	350	0.4	60/70/227	R3/4"	3.6
HPS10-350-060-0005	350	0.5	60/70/263	R3/4"	3.9
HPS10-350-060-0007	350	0.7	60/70/333	R3/4"	4.4
HPS10-350-060-0010	350	1	60/70/439	R3/4"	5.3

Product Name	Max Allowable Pressure / bar	Capacity / litre	Dimensions ID / OD / L	Standard Fluid Port	Weight / KG
--------------	------------------------------	------------------	------------------------	---------------------	-------------

ID Ø 80

PED / SELO / ASME					
HPS10-250-080-0004	250	0.4	80/90/166	R3/4"	4.7
HPS10-250-080-0005	250	0.5	80/90/186	R3/4"	4.9
HPS10-250-080-00075	250	0.75	80/90/236	R3/4"	5.5
HPS10-250-080-0010	250	1	80/90/286	R3/4"	6.0
HPS10-250-080-0015	250	1.5	80/90/385	R3/4"	7.0
HPS10-250-080-0020	250	2	80/90/485	R3/4"	8.1
HPS10-250-080-0030	250	3	80/90/684	R3/4"	10.2
HPS10-250-080-0040	250	4	80/90/883	R3/4"	12.2

PED / SELO / ASME					
HPS10-350-080-0004	350	0.4	80/95/166	R3/4"	5.7
HPS10-350-080-0005	350	0.5	80/95/186	R3/4"	6.0
HPS10-350-080-00075	350	0.75	80/95/236	R3/4"	6.8
HPS10-350-080-0010	350	1	80/95/286	R3/4"	7.6
HPS10-350-080-0015	350	1.5	80/95/385	R3/4"	9.2
HPS10-350-080-0020	350	2	80/95/485	R3/4"	10.8
HPS10-350-080-0030	350	3	80/95/684	R3/4"	14.1
HPS10-350-080-0040	350	4	80/95/883	R3/4"	17.3

PED / SELO / ASME					
HPS10-500-080-0004	500	0.4	80/95/173	R3/4"	6.1
HPS10-500-080-0005	500	0.5	80/95/193	R3/4"	6.4
HPS10-500-080-00075	500	0.75	80/95/243	R3/4"	7.2
HPS10-500-080-0010	500	1	80/95/292	R3/4"	8.1
HPS10-500-080-0015	500	1.5	80/95/392	R3/4"	9.6
HPS10-500-080-0020	500	2	80/95/491	R3/4"	11.3
HPS10-500-080-0030	500	3	80/95/670	R3/4"	14.5
HPS10-500-080-0040	500	4	80/95/889	R3/4"	17.7

Product Name	Max Allowable Pressure / bar	Capacity / litre	Dimensions ID / OD / L	Standard Fluid Port	Weight / KG
--------------	------------------------------	------------------	------------------------	---------------------	-------------

ID Ø 100

PED / SELO / ASME					
HPS10-350-100-0020	350	2	100/115/381	R1"	14.8
HPS10-350-100-0030	350	3	100/115/509	R1"	17.4
HPS10-350-100-0040	350	4	100/115/636	R1"	19.9
HPS10-350-100-0060	350	6	100/115/891	R1"	24.9
HPS10-350-100-0080	350	8	100/115/1146	R1"	30.0
HPS10-350-100-0100	350	10	100/115/1400	R1"	35.1

PED / SELO / ASME					
HPS10-500-100-0020	500	2	100/120/381	R1"	17.4
HPS10-500-100-0030	500	3	100/120/509	R1"	20.9
HPS10-500-100-0040	500	4	100/120/636	R1"	24.4
HPS10-500-100-0060	500	6	100/120/891	R1"	31.3
HPS10-500-100-0080	500	8	100/120/1146	R1"	38.2
HPS10-500-100-0100	500	10	100/120/1400	R1"	45.1

Product Name	Max Allowable Pressure / bar	Capacity / litre	Dimensions ID / OD / L	Standard Fluid Port	Weight / KG
--------------	------------------------------	------------------	------------------------	---------------------	-------------

ID Ø 125

PED / SELO / ASME					
HPS10-250-125-0040	250	4	125/140/441	R1"	26.1
HPS10-250-125-0050	250	5	125/140/522	R1"	28.8
HPS10-250-125-0060	250	6	125/140/604	R1"	31.6
HPS10-250-125-0080	250	8	125/140/767	R1"	37.0
HPS10-250-125-0100	250	10	125/140/930	R1"	42.5
HPS10-250-125-0120	250	12	125/140/1093	R1"	47.9
HPS10-250-125-0150	250	15	125/140/1337	R1"	56.0
HPS10-250-125-0200	250	20	125/140/1745	R1"	69.6

PED / SELO / ASME					
HPS10-350-125-0040	350	4	125/140/457	R1"	28.2
HPS10-350-125-0050	350	5	125/140/538	R1"	30.9
HPS10-350-125-0060	350	6	125/140/620	R1"	33.7
HPS10-350-125-0080	350	8	125/140/783	R1"	39.1
HPS10-350-125-0100	350	10	125/140/946	R1"	44.5
HPS10-350-125-0120	350	12	125/140/1109	R1"	49.9
HPS10-350-125-0150	350	15	125/140/1353	R1"	58.1
HPS10-350-125-0200	350	20	125/140/1761	R1"	71.7

PED / SELO / ASME					
HPS10-415-125-0040	415	4	125/145/471	R1"	30.1
HPS10-415-125-0050	415	5	125/145/552	R1"	32.8
HPS10-415-125-0060	415	6	125/145/634	R1"	35.5
HPS10-415-125-0080	415	8	125/145/797	R1"	40.9
HPS10-415-125-0100	415	10	125/145/960	R1"	46.3
HPS10-415-125-0120	415	12	125/145/1123	R1"	51.8
HPS10-415-125-0150	415	15	125/145/1367	R1"	59.9
HPS10-415-125-0200	415	20	125/145/1775	R1"	73.5

Product Name	Max Allowable Pressure / bar	Capacity / litre	Dimensions ID / OD / L	Standard Fluid Port	Weight / KG
--------------	------------------------------	------------------	------------------------	---------------------	-------------

ID Ø 140

PED / SELO / ASME					
HPS10-250-140-0040	250	4	140/160/394	R 1 1/2"	28.9
HPS10-250-140-0050	250	5	140/160/459	R 1 1/2"	31.3
HPS10-250-140-0060	250	6	140/160/524	R 1 1/2"	33.7
HPS10-250-140-0100	250	10	140/160/808	R 1 1/2"	44.3
HPS10-250-140-0120	250	12	140/160/914	R 1 1/2"	48.2
HPS10-250-140-0150	250	15	140/160/1109	R 1 1/2"	55.4
HPS10-250-140-0200	250	20	140/160/1434	R 1 1/2"	67.4
HPS10-250-140-0250	250	25	140/160/1759	R 1 1/2"	79.4

PED / SELO / ASME					
HPS10-350-140-0040	350	4	140/160/418	R 1 1/2"	33.3
HPS10-350-140-0050	350	5	140/160/483	R 1 1/2"	35.7
HPS10-350-140-0060	350	6	140/160/548	R 1 1/2"	38.1
HPS10-350-140-0100	350	10	140/160/808	R 1 1/2"	47.7
HPS10-350-140-0120	350	12	140/160/938	R 1 1/2"	52.5
HPS10-350-140-0150	350	15	140/160/1133	R 1 1/2"	59.7
HPS10-350-140-0200	350	20	140/160/1458	R 1 1/2"	71.7
HPS10-350-140-0250	350	25	140/160/1783	R 1 1/2"	83.7

PED / SELO / ASME					
HPS10-415-140-0040	415	4	140/160/434	R 1 1/2"	36.1
HPS10-415-140-0050	415	5	140/160/499	R 1 1/2"	38.5
HPS10-415-140-0060	415	6	140/160/564	R 1 1/2"	40.9
HPS10-415-140-0100	415	10	140/160/824	R 1 1/2"	50.5
HPS10-415-140-0120	415	12	140/160/954	R 1 1/2"	55.3
HPS10-415-140-0150	415	15	140/160/1149	R 1 1/2"	62.5
HPS10-415-140-0200	415	20	140/160/1474	R 1 1/2"	74.5
HPS10-415-140-0250	415	25	140/160/1799	R 1 1/2"	86.6

Product Name	Max Allowable Pressure / bar	Capacity / litre	Dimensions ID / OD / L	Standard Fluid Port	Weight / KG
--------------	------------------------------	------------------	------------------------	---------------------	-------------

ID Ø 150

PED / SELO / ASME					
HPS10-250-150-0050	250	5	150/170/419	R 1 1/2"	34.3
HPS10-250-150-0060	250	6	150/170/476	R 1 1/2"	36.6
HPS10-250-150-0100	250	10	150/170/702	R 1 1/2"	45.5
HPS10-250-150-0120	250	12	150/170/815	R 1 1/2"	50.0
HPS10-250-150-0150	250	15	150/170/985	R 1 1/2"	56.7
HPS10-250-150-0200	250	20	150/170/1268	R 1 1/2"	67.9
HPS10-250-150-0250	250	25	150/170/1551	R 1 1/2"	79.1
HPS10-250-150-0280	250	28	150/170/1721	R 1 1/2"	85.8

PED / SELO / ASME					
HPS10-350-150-0050	350	5	150/170/445	R 1 1/2"	39.0
HPS10-350-150-0060	350	6	150/170/502	R 1 1/2"	41.3
HPS10-350-150-0100	350	10	150/170/728	R 1 1/2"	50.2
HPS10-350-150-0120	350	12	150/170/841	R 1 1/2"	54.6
HPS10-350-150-0150	350	15	150/170/1011	R 1 1/2"	61.3
HPS10-350-150-0200	350	20	150/170/1294	R 1 1/2"	72.5
HPS10-350-150-0250	350	25	150/170/1577	R 1 1/2"	83.6
HPS10-350-150-0280	350	28	150/170/1747	R 1 1/2"	90.4

PED / SELO / ASME					
HPS10-415-150-0050	415	5	150/175/441	R 1 1/2"	42.9
HPS10-415-150-0060	415	6	150/175/498	R 1 1/2"	45.8
HPS10-415-150-0100	415	10	150/175/724	R 1 1/2"	57.1
HPS10-415-150-0120	415	12	150/175/837	R 1 1/2"	62.7
HPS10-415-150-0150	415	15	150/175/1007	R 1 1/2"	71.3
HPS10-415-150-0200	415	20	150/175/1290	R 1 1/2"	85.4
HPS10-415-150-0250	415	25	150/175/1573	R 1 1/2"	99.6
HPS10-415-150-0280	415	28	150/175/1743	R 1 1/2"	108.2

Product Name	Max Allowable Pressure / bar	Capacity / litre	Dimensions ID / OD / L	Standard Fluid Port	Weight / KG
--------------	------------------------------	------------------	------------------------	---------------------	-------------

ID Ø 160

PED / SELO					
HPS10-250-160-0060	250	6	160/180/452	R 1 1/2"	41.3
HPS10-250-160-0080	250	8	160/180/551	R 1 1/2"	45.5
HPS10-250-160-0100	250	10	160/180/651	R 1 1/2"	49.7
HPS10-250-160-0150	250	15	160/180/899	R 1 1/2"	60.1
HPS10-250-160-0200	250	20	160/180/1148	R 1 1/2"	70.5
HPS10-250-160-0250	250	25	160/180/1397	R 1 1/2"	80.9
HPS10-250-160-0300	250	30	160/180/1646	R 1 1/2"	91.4

PED / SELO					
HPS10-415-160-0060	350	6	160/180/490	R 1 1/2"	48.9
HPS10-350-160-0080	350	8	160/180/589	R 1 1/2"	53.1
HPS10-350-160-0100	350	10	160/180/689	R 1 1/2"	57.3
HPS10-350-160-0150	350	15	160/180/937	R 1 1/2"	67.6
HPS10-350-160-0200	350	20	160/180/1186	R 1 1/2"	78.1
HPS10-350-160-0250	350	25	160/180/1435	R 1 1/2"	88.5
HPS10-350-160-0300	350	30	160/180/1684	R 1 1/2"	99.0

PED / SELO					
HPS10-415-160-0060	415	6	160/185/480	R 1 1/2"	52.3
HPS10-415-160-0080	415	8	160/185/579	R 1 1/2"	57.6
HPS10-415-160-0100	415	10	160/185/679	R 1 1/2"	62.9
HPS10-415-160-0150	415	15	160/185/927	R 1 1/2"	76.1
HPS10-415-160-0200	415	20	160/185/1176	R 1 1/2"	89.4
HPS10-415-160-0250	415	25	160/185/1425	R 1 1/2"	102.6
HPS10-415-160-0300	415	30	160/185/1674	R 1 1/2"	115.9

Product Name	Max Allowable Pressure / bar	Capacity / litre	Dimensions ID / OD / L	Standard Fluid Port	Weight / KG
--------------	------------------------------	------------------	------------------------	---------------------	-------------

ID Ø 180

PED / SELO					
HPS10-250-180-0080	250	8	180/200/484	R 1 1/2"	59.2
HPS10-250-180-0100	250	10	180/200/563	R 1 1/2"	63.0
HPS10-250-180-0120	250	12	180/200/641	R 1 1/2"	66.6
HPS10-250-180-0150	250	15	180/200/759	R 1 1/2"	72.1
HPS10-250-180-0200	250	20	180/200/956	R 1 1/2"	81.4
HPS10-250-180-0250	250	25	180/200/1152	R 1 1/2"	90.6
HPS10-250-180-0300	250	30	180/200/1349	R 1 1/2"	99.8
HPS10-250-180-0350	250	35	180/200/1545	R 1 1/2"	109.0
HPS10-250-180-0400	250	40	180/200/1742	R 1 1/2"	118.2

PED / SELO					
HPS10-350-180-0080	350	8	180/205/496	R 1 1/2"	68.3
HPS10-350-180-0100	350	10	180/205/574	R 1 1/2"	73.0
HPS10-350-180-0120	350	12	180/205/653	R 1 1/2"	77.6
HPS10-350-180-0150	350	15	180/205/771	R 1 1/2"	84.6
HPS10-350-180-0200	350	20	180/205/968	R 1 1/2"	96.3
HPS10-350-180-0250	350	25	180/205/1164	R 1 1/2"	107.9
HPS10-350-180-0300	350	30	180/205/1361	R 1 1/2"	119.6
HPS10-350-180-0350	350	35	180/205/1557	R 1 1/2"	131.3
HPS10-350-180-0400	350	40	180/205/1754	R 1 1/2"	143.0

PED / SELO					
HPS10-415-180-0080	415	8	180/205/520	R 1 1/2"	74.5
HPS10-415-180-0100	415	10	180/205/598	R 1 1/2"	79.2
HPS10-415-180-0120	415	12	180/205/677	R 1 1/2"	83.8
HPS10-415-180-0150	415	15	180/205/795	R 1 1/2"	90.8
HPS10-415-180-0200	415	20	180/205/992	R 1 1/2"	102.5
HPS10-415-180-0250	415	25	180/205/1188	R 1 1/2"	114.2
HPS10-415-180-0300	415	30	180/205/1385	R 1 1/2"	125.8
HPS10-415-180-0350	415	35	180/205/1581	R 1 1/2"	137.5
HPS10-415-180-0400	415	40	180/205/1778	R 1 1/2"	149.2