

HYDRAULIC HAND PUMPS



LARZEP advantages

- W series pumps are for use with Single Acting cylinders.
- X series pumps are fitted with 4-way 3 position valve for use with Double Acting cylinders.
- The pump range includes single and two speed models. Two speed models provide rapid cylinder advance until contact is made with the load.
- Hydraulic port on all models is 3/8"-NPT female.
- W and X series pumps are fitted with internal safety valves to prevent overpressure.
- WP01207 model is foot pedal operated.
- All pumps except W00307 are fitted with handle clips for ease of carrying.

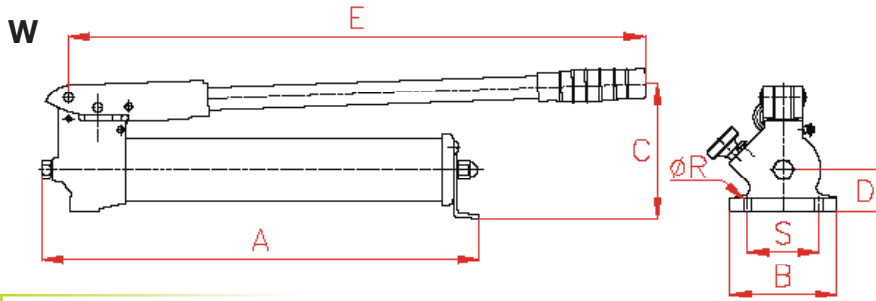
SINGLE ACTING

Model	Speeds	Usable oil	Handle effort
LARZEP	No.	cm ³	kg
W00307	1	240	51
W10707	1	660	49
W20707	2	660	49
WP01207	2	1.200	-
W11207	1	1.200	49
W21207	2	1.200	49
W22307	2	2.400	49
W24307	2	4.200	49
W07807	2	7.500	41

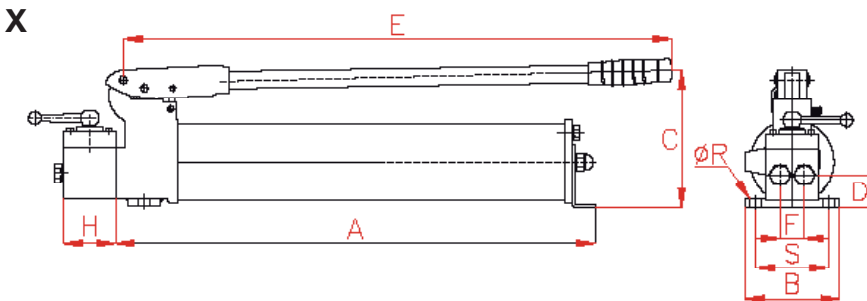
DOUBLE ACTING

Model	Speeds	Usable oil	Handle effort
LARZEP	No.	cm ³	kg
X22307	2	2.400	49
X24307	2	4.200	49
X07807	2	7.500	41

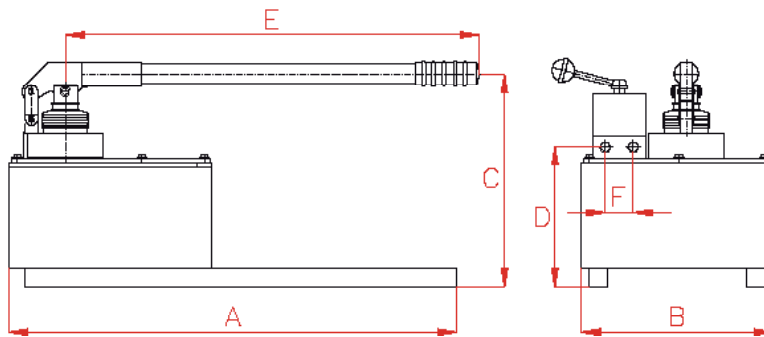
SINGLE ACTING



DOUBLE ACTING



W07807
X07807



HYDRAULIC HAND PUMPS



0,24-7,5 litres

700 bar

PUMPS



WP01207 pump, foot pedal operated.



W07807, X07807 pumps.

Oil displacement per stroke (cm ³)		Pressure rating (bar)		A	B	C	D	E	R	S	Weight	Model
1 st Stage	2 nd Stage	1 st Stage	2 nd Stage	mm	mm	mm	mm	mm	mm	mm	kg	LARZEP
-	2,2	-	700	350	100	110	25	380	-	-	2,7	W00307
-	2,6	-	700	500	100	150	40	560	-	-	5,5	W10707
8,1	2,0	20	700	500	100	150	40	560	-	-	5,5	W20707
13,2	2,2	20	700	550	170	190	75	495	-	-	10,6	WP01207
-	2,6	-	700	545	100	175	40	560	-	-	6,5	W11207
8,1	2,0	20	700	545	100	175	40	560	-	-	6,5	W21207
13,2	2,2	20	700	560	108	210	55	560	8,5	86	12,0	W22307
16,5	2,8	20	700	570	108	210	75	560	8,5	86	20,0	W24307
120,0	4,6	10	700	610	242	250	232	643	-	-	30,0	W07807

Oil disp. per stroke (cm ³)		Pressure rating (bar)		A	B	C	D	E	F	H	R	S	Weight	Model
1 st Stage	2 nd Stage	1 st Stage	2 nd Stage	mm	mm	mm	mm	mm	mm	mm	mm	mm	kg	LARZEP
13,2	2,2	20	700	560	108	210	55	560	40	50	8,5	86	14	X22307
16,5	2,8	20	700	570	108	210	75	560	40	50	8,5	86	23	X24307
120,0	4,6	10	700	610	242	250	232	643	50	-	-	-	32	X07807