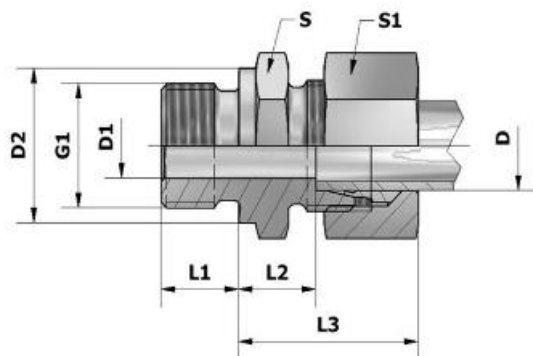


GE..R..Z - Gerade Einschraubverschraubung

Zöll. Einschraubzapfen mit Dichtkante (ISO 1179) / 24°-Anschluss

GE..R..Z - Straight male stud connector

thread: BSP parallel metal-to-metal sealing (ISO 1179) / 24° cone end



Reihe series	D	G1	D2	L1	L2	L3	S	S1	Gewicht weight kg/100	Sach-Nr. comp. no.	Artikel-Nr. part. no.
S	6	G 1/4 A	18	12	13,0	28	19	17	5,15	1049/21	GE6R1/4ZSc3d
PN 400	6	G 3/8 A	22	12	15,5	30	22	17	7,35	18520/21	GE6R3/8ZSc3d
	8	G 1/4 A	18	12	15,0	30	19	19	6,00	1050/21	GE8R1/4ZSc3d
	8	G 3/8 A	22	12	15,5	30	22	19	7,80	16067/21	GE8R3/8ZSc3d
	8	G 1/2 A	26	14	18,0	33	27	19	11,90	18523/21	GE8R1/2ZSc3d
	10	G 1/4 A	18	12	14,5	31	19	22	7,55	15021/21	GE10R1/4ZSc3d
	10	G 3/8 A	22	12	15,0	31	22	22	8,85	1051/21	GE10R3/8ZSc3d
	10	G 1/2 A	26	14	17,5	34	27	22	12,95	18192/21	GE10R1/2ZSc3d
	12	G 1/4 A	18	12	16,5	33	22	24	9,50	18194/21	GE12R1/4ZSc3d
	12	G 3/8 A	22	12	17,0	33	22	24	10,00	1052/21	GE12R3/8ZSc3d
	12	G 1/2 A	26	14	17,5	34	27	24	9,50	1053/21	GE12R1/2ZSc3d
	16	G 3/8 A	22	12	18,0	36	27	30	14,70	17946/21	GE16R3/8ZSc3d
	16	G 1/2 A	26	14	18,5	37	27	30	15,60	1055/21	GE16R1/2ZSc3d
	16	G 3/4 A	32	16	20,5	39	32	30	22,10	17945/21	GE16R3/4ZSc3d
20	G 1/2 A	26	14	20,5	42	32	36	24,55	14761/21	GE20R1/2ZSc3d	
20	G 3/4 A	32	16	20,5	42	32	36	25,45	1056/21	GE20R3/4ZSc3d	
PN 250	20	G 1 A	39	18	22,5	44	41	36	37,65	18015/21	GE20R1ZSc3d
	25	G 3/4 A	32	16	23,0	47	41	46	45,05	18024/21	GE25R3/4ZSc3d
	25	G 1 A	39	18	23,0	47	41	46	47,25	1057/21	GE25R1ZSc3d
PN 160	25	G 1 1/4 A	49	20	23,0	47	50	46	62,75	19048/21	GE25R1 1/4 ZSc3d
	30	G 1 A	39	18	23,5	50	46	50	56,65	19049/21	GE30R1ZSc3d
	30	G 1 1/4 A	49	20	23,5	50	50	50	65,15	1058/21	GE30R1 1/4 ZSc3d
	38	G 1 1/4 A	49	20	26,0	57	55	60	90,70	19050/21	GE38R1 1/4 ZSc3d
	38	G 1 1/2 A	55	22	26,0	57	55	60	88,90	1059/21	GE38R1 1/2 ZSc3d

Auf Wunsch mit Einschraubzapfen Form A (DIN 3852) lieferbar
Threaded plug form A (DIN 3852) supplied on request