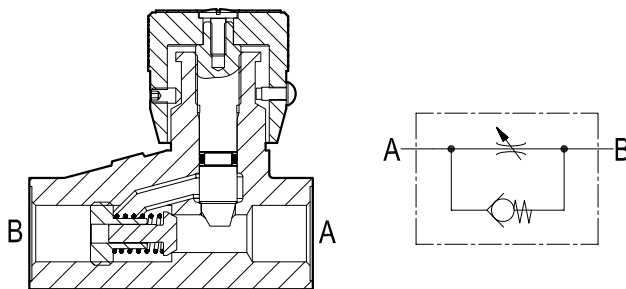
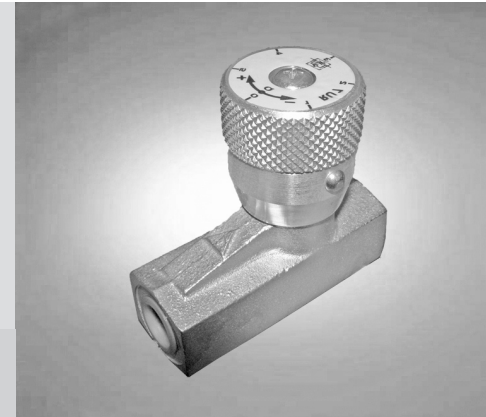


Flow control valves

Adjustable restrictors with poppet type reverse flow check

RU Series

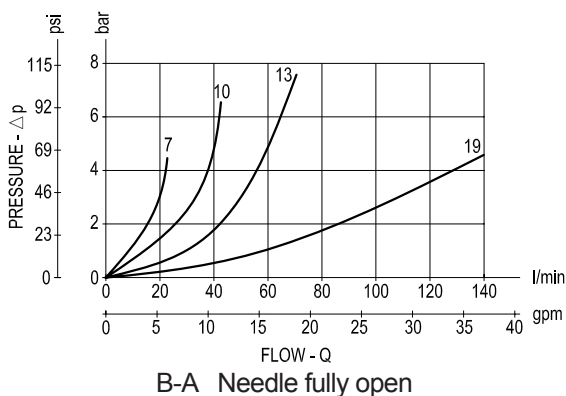
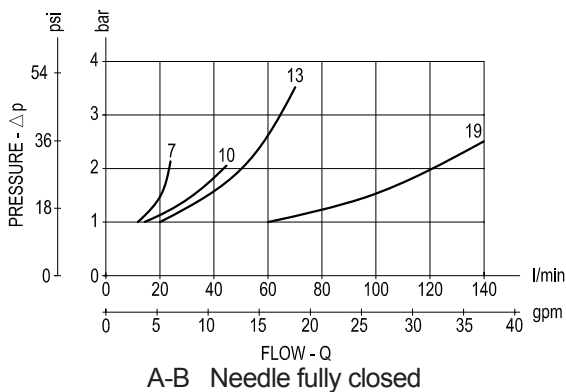


Description

With flow from B to A this line mounted valve provides a fully adjustable orifice restriction. Pressure compensation is not provided and flow depends from pressure drop and oil viscosity.

Free flow is allowed from A to B by an incorporated check valve, when pressure at A rises above the spring bias pressure and the poppet is pushed from the seat.

Performance



Technical data

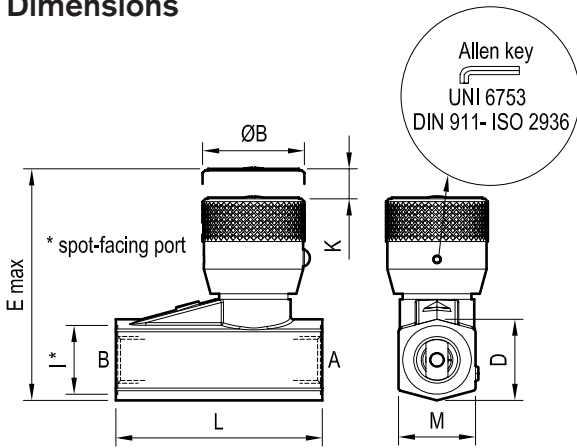
Code	Pressure P max bar (psi)	Flow Q max l/min (gpm)	Weight kg (lbs)
RU 7	350 (5000)	25 (7)	0.28 (0.62)
RU 10	350 (5000)	45 (12)	0.48 (1.06)
RU 13	350 (5000)	70 (19)	0.85 (1.87)
RU 19	350 (5000)	140 (37)	1.58 (3.48)

Cast iron, zinc plated with aluminium hand knob

Advantages

- Compact design.
- Four sizes provide great adaptability to the system.
- Fine adjustment.

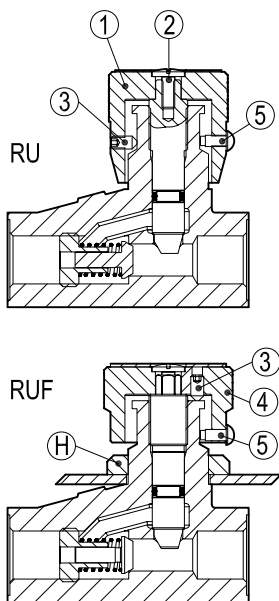
Dimensions



Ports size / Dimensions

Code	Ports size A-B	I* mm (inches)	L mm (inches)	Ø B mm (inches)	E max mm (inches)	D mm (inches)	M mm (inches)
RU 7	G 1/4	21 (0.83)	64 (2.52)	31 (1.22)	70.5 (2.78)	24 (0.95)	24 (0.95)
RU 10	G 3/8	25 (0.98)	75 (2.95)	37 (1.46)	81 (3.19)	30 (1.18)	28 (1.10)
RU 13	G 1/2	29 (1.14)	92 (3.62)	42 (1.65)	104 (4.09)	36 (1.42)	35 (1.38)
RU 19	G 3/4	36.5 (1.44)	115 (3.62)	50 (1.97)	134 (5.28)	43 (1.69)	43 (1.69)

The RU series valves can be converted into panel mounted version (like RUF) by removing and adding the items here indicated.



code	Remove from RU valve				Add For panel mounting			
	Screw (3)	Rivet (5)	Screw (2)	Hand Knob (1)	Ring Nut (H)	Hand Knob (4)	Screw (3)	Rivet (5)
RU 7 RUF 7	M3 x 6 UNI 5927.67 code: 0771432.01	4M x 6.5 code: 0771352.01	M4 x 10 code: 0771432.04	077:1431.01	20 x 1 code: 0811131.16	081:1431.05	M3 x 6 UNI 5927.67 code: 0771432.01	4M x 6.5 code: 0771352.01
RU 10 RUF 10	M4 x 8 UNI 5927.67 code: 0781432.02	4M x 8 code: 0781352.02	M4 x 10 code: 0771432.04	078:1431.02	25 x 1.5 code: 0821131.17	082:1431.06	M4 x 8 UNI 5927.67 code: 0781432.02	6M x 8 code: 0781352.02
RU 13 RUF 13	M4 x 8 UNI 5927.67 code: 0781432.02	4M x 8 code: 0781352.02	M5 x 12 0791432.05	079:1431.03	30 x 1.5 code: 0831131.18	083:1431.07	M4 x 8 UNI 5927.67 code: 0781432.02	6M x 8 code: 0781352.02
RU 19 RUF 19	M5 x 10 UNI 5927.67 code: 0801432.03	10M x 9.5 code: 0801352.03	M5 x 12 + rivet Ø 5 (0.20) UNI 6593-69 code: 0791432.05	080:1431.04	35 x 1.5 code: 0841131.19	084:1431.08	M5 x 10 UNI 5927.67 code: 0801432.03	10M x 9.5 code: 0801352.03

Ordering code



series 7	=	7
series 10	=	10
series 13	=	13
series 19	=	19

Adj. travel (only bar value see below)

	RU 7	RU 10	RU 13	RU 19
K (inch)	7 (0.28)	8 (0.31)	11 (0.43)	14 (0.55)

Cracking pressure (free flow) is always 1 bar (14.5psi)

Type	Material number	Type	Material number	Type	Material number
RU7	R932500550				
RU10	R932500552				
RU13	R932500553				
RU19	R932500554				

Applications

The RU Series valve is a fully and easily adjustable non-compensated flow control which can be employed for meter-in (Port A connected to the actuator inlet) or meter-out (Port B connected to the actuator outlet in order to control the oil flow from the actuator). The easiness of installation and of adjustment make it suitable for many circuits and many applications where a non-compensated flow control is desired.