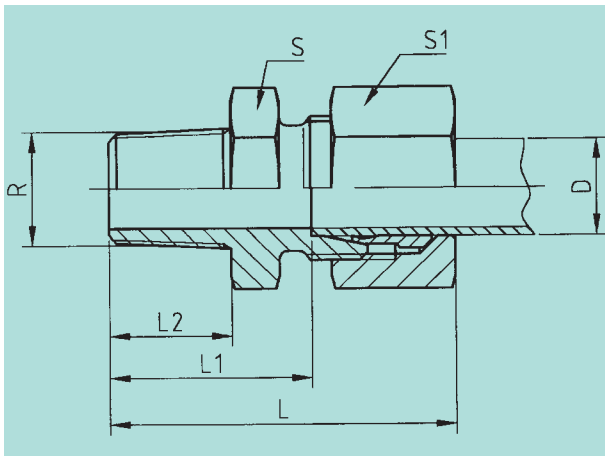


**Gerade Einschraubverschraubungen  
mit Whitworth-Rohrgewinde kegelig**  
**Straight male stud couplings**  
thread: **BSP taper**

**arco**



Reihe	D	R	L	L <sub>1</sub>	L <sub>2</sub>	S	S <sub>1</sub>	Gewicht % in kg	Sach.-Nr.	Artikel-Nr.
series	D	R	L	L <sub>1</sub>	L <sub>2</sub>	S	S <sub>1</sub>	weight kg/100 pc	comp. no.	part. no.
LL	4	R 1/8 K	26	16	8	11	10	1,40	1000/21	GE4R1/8KLLc3d
PN 100	5	R 1/8 K	26	14,5	8	11	12	1,50	1001/21	GE5R1/8KLLc3d
	6	R 1/8 K	26	14,5	8	11	12	1,60	1002/21	GE6R1/8KLLc3d
	8	R 1/8 K	28	16,5	8	12	14	1,80	1003/21	GE8R1/8KLLc3d
L	6	R 1/8 K	29	15	8	12	14	2,50	1007/21	GE6R1/8KLc3d
PN 250	8	R 1/4 K	34	20	12	14	17	4,00	1011/21	GE8R1/4KLc3d
	8	R 3/8 K	35	20	12	17	17	4,90	1012/21	GE8R3/8KLc3d
	10	R 1/4 K	36	21	12	17	19	4,70	1014/21	GE10R1/4KLc3d
	10	R 3/8 K	36	21	12	19	19	5,80	1015/21	GE10R3/8KLc3d
	12	R 1/4 K	37	22	12	19	22	4,80	1017/21	GE12R1/4KLc3d
	12	R 3/8 K	37	22	12	19	22	6,30	1018/21	GE12R3/8KLc3d
	12	R 1/2 K	40	24	14	22	22	8,70	1019/21	GE12R1/2KLc3d
15	R 1/2 K	40	25	14	24	27	9,50	1021/21	GE15R1/2KLc3d	
PN 160	18	R 1/2 K	41	25,5	16	27	32	12,90	1022/21	GE18R1/2KLc3d
	22	R 3/4 K	46	29,5	16	32	36	17,60	1023/21	GE22R3/4KLc3d
PN 100	28	R 1 K	50	30,5	18	41	41	21,90	1024/21	GE28R1KLc3d

Weitere Abmessungen auf Anfrage  
Other sizes on request