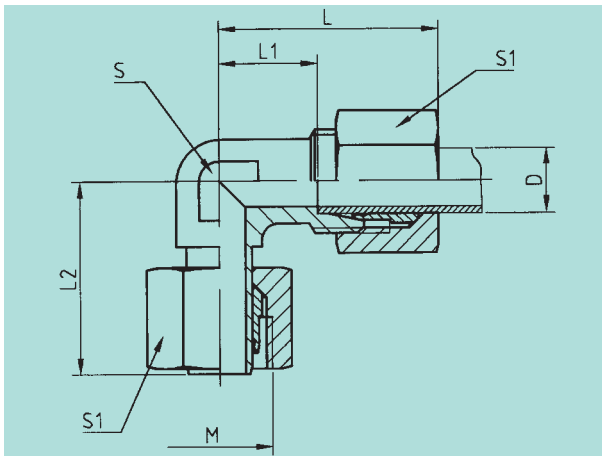


**Einstellbare Winkel-Anschlüsse**  
**komplett vormontiert**  
**Adjustable male stud elbows**

**arco**



Reihe	D	M	L	L <sub>1</sub>	L <sub>2</sub>	S	S <sub>1</sub>	Gewicht % in kg	Sach.-Nr.	Artikel-Nr.
series	D	M	L	L <sub>1</sub>	L <sub>2</sub>	S	S <sub>1</sub>	weight kg/100 pc	comp. no.	part. no.
L	6	M12x1,5	27	12	26	12	14	4,00	41765/21	EWA6LHc3d
PN 315	8	M14x1,5	29	14	27,5	12	17	4,60	41767/21	EWA8LHc3d
	10	M16x1,5	30	15	29	14	19	6,55	41768/21	EWA10LHc3d
	12	M18x1,5	32	17	29,5	17	22	9,00	41770/21	EWA12LHc3d
	15	M22x1,5	36	21	32,5	19	27	14,90	41771/21	EWA15LHc3d
	18	M26x1,5	40	23,5	35,5	24	32	21,55	41773/21	EWA18LHc3d
PN 160	22	M30x2	44	27,5	38,5	27	36	28,50	41774/21	EWA22LHc3d
	28	M36x2	47	30,5	41,5	36	41	41,05	1775/21	EWA28LHc3d
	35	M45x2	56	34,5	51	41	50	59,00	1776/21	EWA35LHc3d
	42	M52x2	63	40	56	50	60	104,50	1777/21	EWA42LHc3d
S	6	M14x1,5	31	16	27	12	17	5,15	1778/21	EWA6SHc3d
PN 630	8	M16x1,5	32	17	27,5	14	19	7,40	1779/21	EWA8SHc3d
	10	M18x1,5	34	17,5	30	17	22	10,05	1780/21	EWA10SHc3d
	12	M20x1,5	38	21,5	31	17	24	13,30	1781/21	EWA12SHc3d
PN 400	16	M24x1,5	43	24,5	36,5	24	30	23,50	1783/21	EWA16SHc3d
	20	M30x2	48	26,5	44,5	27	36	34,05	1784/21	EWA20SHc3d
	25	M36x2	54	30	50	36	46	68,05	1785/21	EWA25SHc3d
	30	M42x2	62	35,5	55	41	50	88,55	1786/21	EWA30SHc3d
PN 315	38	M52x2	72	41	63	50	60	142,00	1787/21	EWA38SHc3d