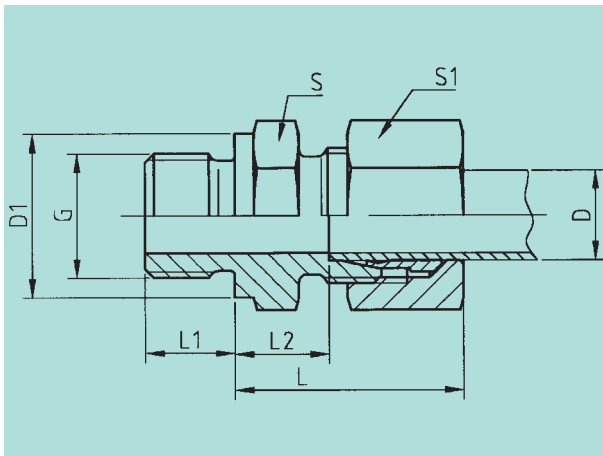


**Gerade Einschraubverschraubungen mit
Whitworth-Rohrgewinde zylindrisch
Straight male stud couplings
thread: BSP parallel**

arco



Einschraubzapfen Form B DIN 3852 (ISO 1179-4)* / Threaded plug form B DIN 3852 (ISO 1179-4)*

Reihe	D	G	L	L ₁	L ₂	S	S ₁	D ₁	Gewicht % in kg weight kg/100 pc	Sach.-Nr. comp. no.	Artikel-Nr. part. no.	
series	D	G	L	L ₁	L ₂	S	S ₁	D ₁				
L	6	G 1/8 A	23	8	08,5	14	14	14	2,50	1027/21	GE6R1/8ZLc3d	
PN 315	8	G 1/4 A	25	12	10	19	17	18	4,50	1030/21	GE8R1/4ZLc3d	
	8	G 3/8 A	26	12	11,5	22	17	22	6,00	1031/21	GE8R3/8ZLc3d	
	10	G 1/4 A	26	12	11	19	19	18	4,70	1032/21	GE10R1/4ZLc3d	
	10	G 3/8 A	27	12	12,5	22	19	22	6,00	1033/21	GE10R3/8ZLc3d	
	12	G 3/8 A	27	12	12,5	22	22	22	6,30	1036/21	GE12R3/8ZLc3d	
	12	G 1/4 A	27	12	12	19	22	18	6,00	1035/21	GE12R1/4ZLc3d	
	12	G 1/2 A	28	14	13	27	22	26	9,50	1037/21	GE12R1/2ZLc3d	
	15	G 1/2 A	29	14	14	27	27	26	11,50	1040/21	GE15R1/2ZLc3d	
	18	G 1/2 A	31	14	14,5	27	32	26	12,90	1042/21	GE18R1/2ZLc3d	
PN 160	22	G 3/4 A	33	16	16,5	32	36	32	17,60	1045/21	GE22R3/4ZLc3d	
	28	G 1 A	34	18	17,5	41	41	39	24,70	1046/21	GE28R1ZLc3d	
	35	G 1 1/4 A	39	20	17,5	50	50	49	40,70	1047/21	GE35R1 1/4 ZLc3d	
	42	G 1 1/2 A	42	22	19	55	60	55	45,60	1048/21	GE42R1 1/2 ZLc3d	
S	6	G 1/4 A	28	12	13	19	17	18	5,00	1049/21	GE6R1/4ZSc3d	
	PB 630	8	G 1/4 A	30	12	15	19	19	18	5,50	1050/21	GE8R1/4ZSc3d
		10	G 3/8 A	31	12	15	22	22	22	8,20	1051/21	GE10R3/8ZSc3d
		12	G 3/8 A	33	12	17	22	24	22	9,50	1052/21	GE12R3/8ZSc3d
		12	G 1/2 A	34	14	17,5	27	24	26	13,50	1053/21	GE12R1/2ZSc3d
PB 400	16	G 1/2 A	37	14	18,5	27	30	26	15,40	1055/21	GE16R1/2ZSc3d	
	20	G 3/4 A	42	16	20,5	32	36	32	25,30	1056/21	GE20R3/4ZSc3d	
	25	G 1 A	47	18	23	41	46	39	46,50	1057/21	GE25R1ZSc3d	
	30	G 1 1/4 A	50	20	23,5	50	50	49	64,60	1058/21	GE30R1 1/4 ZSc3d	
PB 315	38	G 1 1/2 A	57	22	26	55	60	55	88,90	1059/21	GE38R1 1/2 ZSc3d	

* Auf Wunsch mit Einschraubzapfen Form A DIN 3852 lieferbar

* Threaded plug form A DIN 3852 supplied on request