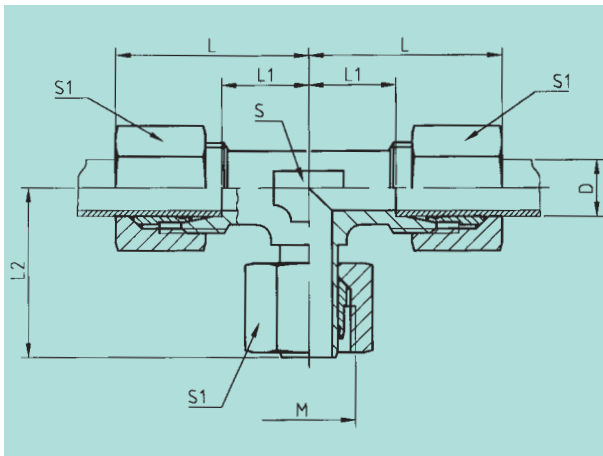


Einstellbare T-Anschlüsse
komplett vormontiert
Adjustable tee couplings

arco



Reihe	D	M	L	L ₁	L ₂	S	S ₁	Gewicht % in kg	Sach.-Nr.	Artikel-Nr.
series	D	M	L	L ₁	L ₂	S	S ₁	weight kg/100 pc	comp. no.	part. no.
L	6	M12x1,5	27	12	26	12	14	6,00	41834/21	ETA6LHc3d
PN 315	8	M14x1,5	29	14	27,5	12	17	6,60	41835/21	ETA8LHc3d
	10	M16x1,5	30	15	29	14	19	9,05	41836/21	ETA10LHc3d
	12	M18x1,5	32	17	29,5	17	22	13,00	41837/21	ETA12LHc3d
	15	M22x1,5	36	21	32,5	19	27	20,90	41838/21	ETA15LHc3d
	18	M26x1,5	40	23,5	35,5	24	32	32,05	41839/21	ETA18LHc3d
PN 160	22	M30x2	44	27,5	38,5	27	36	42,00	41840/21	ETA22LHc3d
	28	M36x2	47	30,5	41,5	36	41	60,05	1841/21	ETA28LHc3d
	35	M45x2	56	34,5	51	41	50	86,50	1842/21	ETA35LHc3d
	42	M52x2	63	40	56	50	60	109,50	1843/21	ETA42LHc3d
S	6	M14x1,5	31	16	27	12	17	8,65	1844/21	ETA6SHc3d
PN 630	8	M16x1,5	32	17	27,5	14	19	11,90	1845/21	ETA8SHc3d
	10	M18x1,5	34	17,5	30	17	22	14,05	1846/21	ETA10SHc3d
	12	M20x1,5	38	21,5	31	17	24	19,80	1847/21	ETA12SHc3d
PN 400	16	M24x1,5	43	24,5	36,5	24	30	36,50	1849/21	ETA16SHc3d
	20	M30x2	48	26,5	44,5	27	36	54,05	1850/21	ETA20SHc3d
	25	M36x2	54	30	50	36	46	102,05	1851/21	ETA25SHc3d
	30	M42x2	62	35,5	55	41	50	161,55	1852/21	ETA30SHc3d
PN 315	38	M52x2	72	41	63	50	60	142,00	1853/21	ETA38SHc3d