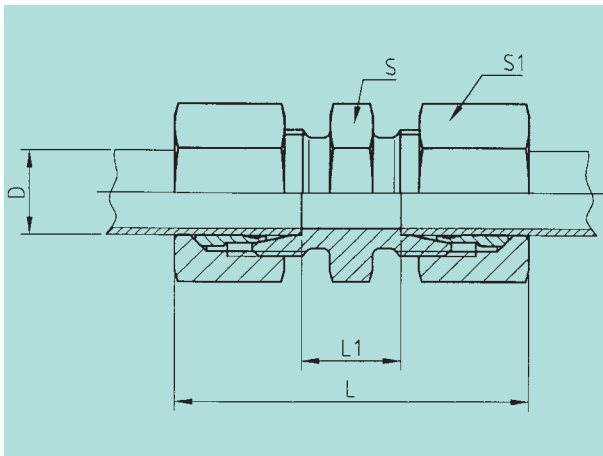


## Gerade Verschraubungen

### Straight couplings

# arco



Reihe	D	L	L <sub>1</sub>	S	S <sub>1</sub>	Gewicht % in kg	Sach.-Nr.	Artikel-Nr.	
series	D	L	L <sub>1</sub>	S	S <sub>1</sub>	weight kg/100 pc	comp. no.	part. no.	
LL	4	31	12	9	10	1,40	1276/21	G4LLc3d	
PN 100	5	32	9	11	12	1,90	1277/21	G5LLc3d	
	6	32	9	11	12	2,10	1278/21	G6LLc3d	
	8	35	12	12	14	2,60	1279/21	G8LLc3d	
	L	6	39	10	12	14	3,50	41280/21	G6LHc3d
PN 315	8	40	11	14	17	4,90	41281/21	G8LHc3d	
	10	42	13	17	19	6,90	41283/21	G10LHc3d	
	12	43	14	19	22	8,50	41284/21	G12LHc3d	
	15	46	16	24	27	13,80	41285/21	G15LHc3d	
	18	48	16	27	32	19,50	41287/21	G18LHc3d	
PN 160	22	52	20	32	36	26,20	41288/21	G22LHc3d	
	28	54	21	41	41	31,50	1289/21	G28LHc3d	
	35	63	20	46	50	49,40	1290/21	G35LHc3d	
	42	66	21	55	60	72,80	1291/21	G42LHc3d	
S	6	45	16	14	17	5,90	1292/21	G6SHc3d	
	PN 630	8	47	18	17	19	7,90	1293/21	G8SHc3d
		10	49	17	19	22	11,00	1294/21	G10SHc3d
		12	51	19	22	24	13,60	1295/21	G12SHc3d
PN 400		16	57	21	27	30	22,30	1297/21	G16SHc3d
	20	66	23	32	36	34,70	1298/21	G20SHc3d	
	25	74	26	41	46	66,90	1299/21	G25SHc3d	
	30	80	27	46	50	80,90	1300/21	G30SHc3d	
PN 315	38	90	29	55	60	119,40	1301/21	G38SHc3d	