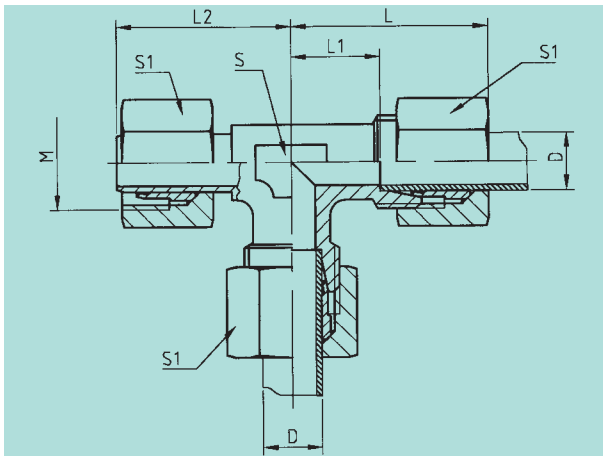


**Einstellbare L-Anschlüsse**  
**komplett vormontiert**  
**Adjustable run tee couplings**

**arco**



Reihe	D	M	L	L <sub>1</sub>	L <sub>2</sub>	S	S <sub>1</sub>	Gewicht % in kg	Sach.-Nr.	Artikel-Nr.
series	D	M	L	L <sub>1</sub>	L <sub>2</sub>	S	S <sub>1</sub>	weight kg/100 pc	comp. no.	part. no.
L PN 315	6	M12x1,5	27	12	26	12	14	6,00	41894/21	ELA6LHc3d
	8	M14x1,5	29	14	27,5	12	17	6,60	41895/21	ELA8LHc3d
	10	M16x1,5	30	15	29	14	19	9,05	41896/21	ELA10LHc3d
	12	M18x1,5	32	17	29,5	17	22	13,00	41897/21	ELA12LHc3d
	15	M22x1,5	36	21	32,5	19	27	20,90	41898/21	ELA15LHc3d
	18	M26x1,5	40	23,5	35,5	24	32	32,05	41900/21	ELA18LHc3d
PN 160	22	M30x2	44	27,5	38,5	27	36	42,00	41901/21	ELA22LHc3d
	28	M36x2	47	30,5	41,5	36	41	60,05	1902/21	ELA28LHc3d
	35	M45x2	56	34,5	51	41	50	86,50	1903/21	ELA35LHc3d
	42	M52x2	63	40	56	50	60	109,50	1904/21	ELA42LHc3d
S PN 630	6	M14x1,5	31	16	27	12	17	8,65	1905/21	ELA6SHc3d
	8	M16x1,5	32	17	27,5	14	19	11,90	1906/21	ELA8SHc3d
	10	M18x1,5	34	17,5	30	17	22	14,05	1907/21	ELA10SHc3d
	12	M20x1,5	38	21,5	31	17	24	19,80	1908/21	ELA12SHc3d
PN 400	16	M24x1,5	43	24,5	36,5	24	30	36,50	1910/21	ELA16SHc3d
	20	M30x2	48	26,5	44,5	27	36	54,05	1911/21	ELA20SHc3d
	25	M36x2	54	30	50	36	46	102,05	1912/21	ELA25SHc3d
	30	M42x2	62	35,5	55	41	50	161,55	1913/21	ELA30SHc3d
PN 315	38	M52x2	72	41	63	50	60	142,00	1914/21	ELA38SHc3d