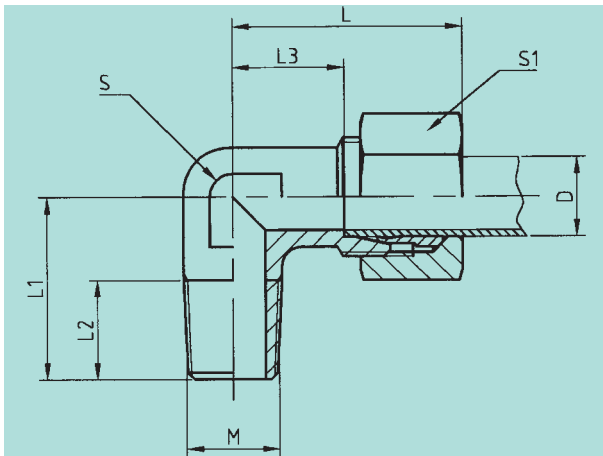


**Winkel-Einschraubverschraubungen  
mit metrischem Gewinde kegelig  
Male stud elbows  
thread: metric taper**

**arco**



| Reihe  | D     | M        | L        | L <sub>1</sub> | L <sub>2</sub> | L <sub>3</sub> | S    | S <sub>1</sub> | Gewicht<br>% in kg  | Sach.-Nr. | Artikel-Nr.  |
|--------|-------|----------|----------|----------------|----------------|----------------|------|----------------|---------------------|-----------|--------------|
| series | D     | M        | L        | L <sub>1</sub> | L <sub>2</sub> | L <sub>3</sub> | S    | S <sub>1</sub> | weight<br>kg/100 pc | comp. no. | part. no.    |
| LL     | 4     | M8x1K    | 21       | 17             | 8              | 11             | 9    | 10             | 1,40                | 1228/21   | WE4M8KLLc3d  |
| PN100  | 5     | M8x1K    | 21       | 17             | 8              | 9,5            | 9    | 12             | 1,50                | 1229/21   | WE5M8KLLc3d  |
|        | 6     | M10x1K   | 21       | 17             | 8              | 9,5            | 9    | 12             | 1,60                | 1230/21   | WE6M10KLLc3d |
|        | 8     | M10x1K   | 23       | 20             | 8              | 11,5           | 12   | 14             | 2,30                | 1231/21   | WE8M10KLLc3d |
|        | L     | 6        | M10x1K   | 27             | 20             | 8              | 12   | 12             | 14                  | 3,00      | 1232/21      |
| PN250  | 8     | M12x1,5K | 29       | 26             | 12             | 14             | 12   | 17             | 3,60                | 1233/21   | WE8M12KLc3d  |
|        | 10    | M14x1,5K | 30       | 27             | 12             | 15             | 14   | 19             | 5,20                | 1234/21   | WE10M14KLc3d |
|        | 12    | M16x1,5K | 32       | 28             | 12             | 17             | 17   | 22             | 7,30                | 1235/21   | WE12M16KLc3d |
|        | 15    | M18x1,5K | 36       | 32             | 12             | 21             | 19   | 27             | 12,00               | 1236/21   | WE15M18KLc3d |
|        | PN160 | 18       | M22x1,5K | 40             | 36             | 14             | 23,5 | 24             | 32                  | 16,60     | 1237/21      |
| S      | 6     | M12x1,5K | 31       | 26             | 12             | 16             | 12   | 17             | 5,20                | 1238/21   | WE6M12KSc3d  |
| PN400  | 8     | M14x1,5K | 32       | 27             | 12             | 17             | 14   | 19             | 6,40                | 1239/21   | WE8M14KSc3d  |
|        | 10    | M16x1,5K | 34       | 28             | 12             | 17,5           | 17   | 22             | 9,70                | 1240/21   | WE10M16KSc3d |
|        | 12    | M18x1,5K | 38       | 28             | 12             | 21,5           | 17   | 24             | 10,80               | 1241/21   | WE12M18KSc3d |
|        | 16    | M22x1,5K | 43       | 32             | 14             | 24,5           | 24   | 30             | 18,90               | 1243/21   | WE16M22KSc3d |

Weitere Abmessungen auf Anfrage  
Other sizes on request