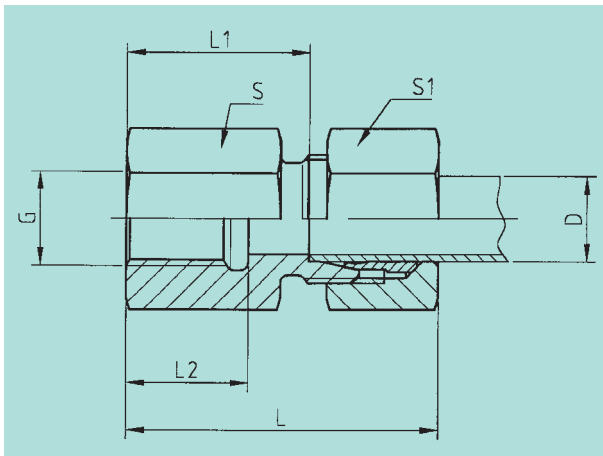


**Gerade Aufschraubverschraubungen  
mit Whitworth-Rohrgewinde zylindrisch**  
**Straight female couplings**  
**thread: BSP parallel**

**arco**



Reihe	D	G	L	L <sub>1</sub>	L <sub>2</sub>	S	S <sub>1</sub>	Gewicht % in kg	Sach.-Nr.	Artikel-Nr.
series	D	G	L	L <sub>1</sub>	L <sub>2</sub>	S	S <sub>1</sub>	weight kg/100 pc	comp. no.	part. no.
L PN 315	6	G 1/8	34	19	12	14	14	2,80	1461/21	GA6R1/8Lc3d
	8	G 1/4	39	24	17	19	17	5,40	1462/21	GA8R1/4Lc3d
	8	G 3/8	40	25	17	24	17	7,30	51500/21	GA8R3/8Lc3d
	10	G 1/4	40	25	17	19	19	5,90	1463/21	GA10R1/4Lc3d
	10	G 3/8	41	26	17	24	22	8,50	51501/21	GA10R3/8Lc3d
	12	G 3/8	41	26	17	24	22	8,90	1464/21	GA12R3/8Lc3d
	12	G 1/2	45	30	20	27	22	10,40	51502/21	GA12R1/2Lc3d
	15	G 1/2	46	31	20	27	27	13,30	1466/21	GA15R1/2Lc3d
18	G 1/2	47	30,5	20	27	32	15,60	1467/21	GA18R1/2Lc3d	
PN 160	22	G 3/4	52	35,5	22	36	36	25,90	1468/21	GA22R3/4Lc3d
	28	G 1	55	38	24,5	41	41	30,60	1469/21	GA28R1Lc3d
	35	G 1 1/4	63	41	26,5	55	50	58,10	1470/21	GA35R1 1/4Lc3d
	42	G 1 1/2	65	42,5	28,5	60	60	72,30	1471/21	GA42R1 1/2Lc3d
S PN 630	6	G 1/4	41	26	17	19	17	6,10	1472/21	GA6R1/4Sc3d
	8	G 1/4	41	26	17	19	19	6,70	1473/21	GA8R1/4Sc3d
	10	G 3/8	43	26,5	17	24	22	10,10	1474/21	GA10R3/8Sc3d
	12	G 3/8	43	26,5	17	24	24	10,80	1475/21	GA12R3/8Sc3d
PN 400	16	G 1/2	50	31,5	20	30	30	19,20	1477/21	GA16R1/2Sc3d
	20	G 3/4	56	34,5	22	36	36	28,20	1478/21	GA20R3/4Sc3d
	25	G 1	62	37,5	24,5	41	46	45,80	1479/21	GA25R1Sc3d
	30	G 1 1/4	69	42	26,5	55	50	73,70	1480/21	GA30R1 1/4Sc3d
PN 250	38	G 1 1/2	74	43,5	28,5	60	60	96,40	1481/21	GA38R1 1/2Sc3d