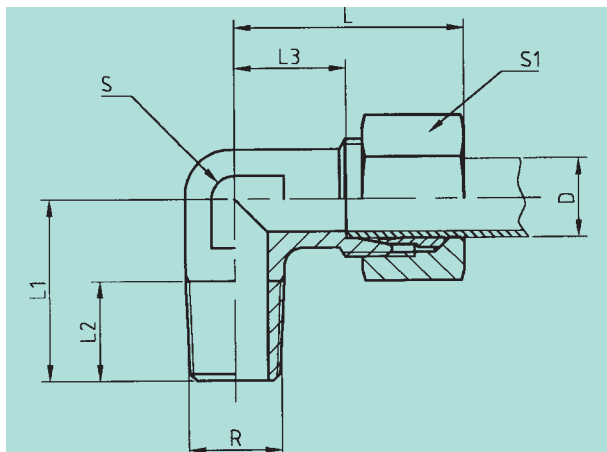


**Winkel-Einschraubverschraubungen
mit Whitworth-Rohrgewinde kegelig
Male stud elbows
thread: BSP taper**

arco



Reihe	D	R	L	L ₁	L ₂	L ₃	S	S ₁	Gewicht % in kg	Sach.-Nr.	Artikel-Nr.
series	D	R	L	L ₁	L ₂	L ₃	S	S ₁	weight kg/100 pc	comp. no.	part. no.
LL	4	R1/8K	21	17	8	11	9	10	1,40	1209/21	WE4R1/8KLLc3d
PN100	5	R1/8K	21	17	8	9,5	9	12	1,50	1210/21	WE5R1/8KLLc3d
	6	R1/8K	21	17	8	9,5	9	12	1,60	1211/21	WE6R1/8KLLc3d
	8	R1/8K	23	20	8	11,5	12	14	2,30	1212/21	WE8R1/8KLLc3d
L	6	R1/8K	27	20	8	12	12	14	3,00	1213/21	WE6R1/8KLc3d
PN250	8	R1/4K	29	26	12	14	12	17	3,60	1214/21	WE8R1/4KLc3d
	10	R1/4K	30	27	12	15	14	19	5,20	1215/21	WE10R1/4KLc3d
	12	R3/8K	32	28	12	17	17	22	7,30	1218/21	WE12R3/8KLc3d
	15	R1/2K	36	34	14	21	19	27	12,00	1219/21	WE15R1/2KLc3d
PN160	18	R1/2K	40	36	14	23,5	24	32	16,60	1220/21	WE18R1/2KLc3d
S	6	R1/4K	31	26	12	16	12	17	5,20	1222/21	WE6R1/4KSc3d
PN400	8	R1/4K	32	27	12	17	14	19	6,40	1223/21	WE8R1/4KSc3d
	10	R3/8K	34	28	12	17,5	17	22	9,70	1224/21	WE10R3/8KSc3d
	12	R3/8K	38	28	12	21,5	17	24	10,80	1225/21	WE12R3/8KSc3d
	16	R1/2K	43	32	14	24,5	24	30	18,90	1227/21	WE16R1/2KSc3d

Weitere Abmessungen auf Anfrage
Other sizes on request