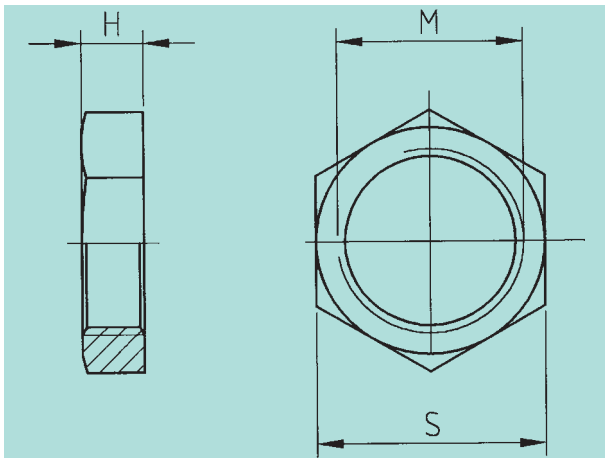


Sechskantmuttern

Lock nuts

arco



Reihe	H	S	M	Gewicht % in kg	Sach.-Nr.	Artikel-Nr.
series	H	S	M	weight kg/100 pc	comp. no.	part. no.
L6	6	17	12x1,5	0,70	2423/21	SKM12x1,5D705c3d
L8/S6	6	19	14x1,5	0,82	2425/21	SKM14x1,5D705c3d
L10/S8	6	22	16x1,5	1,10	2426/21	SKM16x1,5D705c3d
L12/S10	6	24	18x1,5	1,20	2427/21	SKM18x1,5D705c3d
S12	6	27	20x1,5	1,50	2428/21	SKM20x1,5D705c3d
L15	7	30	22x1,5	2,20	2429/21	SKM22x1,5D705c3d
S16	7	32	24x1,5	2,40	2430/21	SKM24x1,5D705c3d
L18	8	36	26x1,5	3,80	2431/21	SKM26x1,5D705c3d
L22/S20	8	41	30x2	4,80	2432/21	SKM30x2D705c3d
L28/S25	9	46	36x2	6,00	2433/21	SKM36x2D705c3d
S30	9	50	42x2	5,90	2434/21	SKM42x2D705c3d
L35	9	55	45x2	7,60	2435/21	SKM45x2D705c3d
L42/S38	10	65	52x2	12,20	2436/21	SKM52x2D705c3d