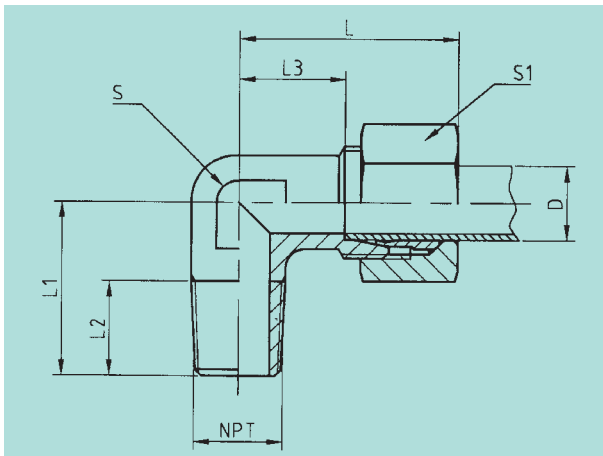


**Winkel Einschraubverschraubungen
mit NPT-Gewinde
Male stud elbows
thread: NPT**

arco



Reihe	D	NPT	L	L ₁	L ₂	L ₃	S	S ₁	Gewicht % in kg	Sach.-Nr.	Artikel-Nr.
series	D	NPT	L	L ₁	L ₂	L ₃	S	S ₁	weight kg/100 pc	comp. no.	part. no.
LL	4	1/8NPT	21	17	10	11	9	10	1,50	51545/21	WE4NPT1/8LLc3d
PN 100	6	1/8NPT	21	17	10	9,5	9	12	1,60	51546/21	WE6NPT1/8LLc3d
	8	1/8NPT	23	20	10	11,5	12	14	2,70	51547/21	WE8NPT1/8LLc3d
L PN 315	6	1/8NPT	27	20	10	12	12	14	3,50	2013/21	WE6NPT1/8Lc3d
	8	1/4NPT	29	26	15	14	12	17	4,10	2007/21	WE8NPT1/4Lc3d
	10	1/4NPT	30	27	15	15	14	19	5,50	2006/21	WE10NPT1/4Lc3d
	12	3/8NPT	32	28	15,3	17	17	22	8,30	2019/21	WE12NPT3/8Lc3d
	15	1/2NPT	36	34	20	21	19	27	13,40	51548/21	WE15NPT1/2Lc3d
	18	1/2NPT	40	36	20	23,5	24	32	18,80	51549/21	WE18NPT1/2Lc3d
PN 160	22	3/4NPT	44	42	20	27,5	27	36	26,10	51550/21	WE22NPT3/4Lc3d
	28	1NPT	47	48	25	30,5	36	41	42,70	51551/21	WE28NPT1Lc3d
	35	1¼NPT	56	54	25,5	34,5	41	50	61,80	51552/21	WE35NPT1¼Lc3d
	42	1½NPT	62	61	26	39	50	60	96,40	51553/21	WE42NPT1½Lc3d
S	6	1/4NPT	31	26	15	16	12	17	5,40	51554/21	WE6NPT1/4Sc3d
PN 630	8	1/4NPT	32	27	15	17	14	19	6,70	51555/21	WE8NPT1/4Sc3d
	10	3/8NPT	34	28	15,3	17,5	17	22	10,10	51556/21	WE10NPT3/8Sc3d
	12	3/8NPT	38	28	15,3	21,5	17	24	11,20	51557/21	WE12NPT3/8Sc3d
PN 400	16	1/2NPT	43	36	20	24,5	24	30	19,80	51558/21	WE16NPT1/2Sc3d
	20	3/4NPT	48	42	20	26,5	27	36	31,30	51559/21	WE20NPT3/4Sc3d
	25	1NPT	54	48	25	30	36	41	59,10	51560/21	WE25NPT1Sc3d
	30	1¼NPT	62	54	25,5	35,5	41	50	83,40	51561/21	WE30NPT1¼Sc3d
PN 315	38	1½NPT	72	61	26	41	50	60	123,60	51562/21	WE38NPT1½Sc3d