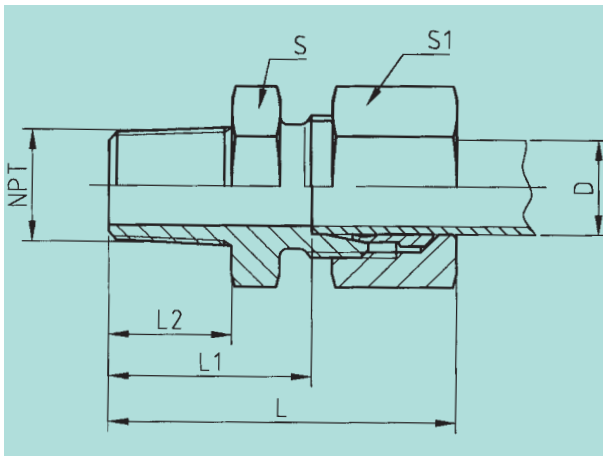


**Gerade Einschraubverschraubungen  
mit NPT-Gewinde  
Straight male stud couplings  
thread: NPT**

**arco**



Einschraubzapfen nach ANSI/ ASME B1.20.1-1983 / Threaded plugs acc. ANSI/ ASME B1.20.1-1983

Reihe	D	NPT	L	L <sub>1</sub>	L <sub>2</sub>	S	S <sub>1</sub>	Gewicht % in kg weight kg/100 pc	Sach.-Nr. comp. no.	Artikel-Nr. part. no.	
series	D	NPT	L	L <sub>1</sub>	L <sub>2</sub>	S	S <sub>1</sub>				
LL	4	1/8NPT	28	18	9,9	11	10	1,50	1177/21	GE4NPT1/8LLc3d	
PN 100	5	1/8NPT	28	16,5	9,9	11	12	2,00	1178/21	GE5NPT1/8LLc3d	
	6	1/8NPT	28	16,5	9,9	11	12	1,50	1179/21	GE6NPT1/8LLc3d	
	8	1/8NPT	30	18,5	9,9	12	14	2,00	1180/21	GE8NPT1/8LLc3d	
	L	6	1/8NPT	32	17	9,9	12	14	2,60	1181/21	GE6NPT1/8Lc3d
PN 315	6	1/4NPT	38	23	15,1	17	14	3,90	1183/21	GE6NPT1/4Lc3d	
	8	1/4NPT	38	23	15,1	17	17	4,00	1184/21	GE8NPT1/4Lc3d	
	10	1/4NPT	39	24	15,1	17	19	4,80	1185/21	GE10NPT1/4Lc3d	
	10	3/8NPT	40	25	15,2	19	19	6,00	1186/21	GE10NPT3/8Lc3d	
	12	1/4NPT	40	25	15,1	19	22	6,00	1187/21	GE12NPT1/4Lc3d	
	12	3/8NPT	40	25	15,2	19	22	6,50	1188/21	GE12NPT3/8Lc3d	
	12	1/2NPT	45	30	19,8	24	22	8,50	1189/21	GE12NPT1/2Lc3d	
	15	1/2NPT	46	31	19,8	24	27	11,00	1190/21	GE15NPT1/2Lc3d	
	18	1/2NPT	48	31,5	19,8	27	32	13,50	1191/21	GE18NPT1/2Lc3d	
PN 160	22	3/4NPT	50	33,5	20,1	32	36	19,00	1192/21	GE22NPT3/4Lc3d	
	28	1NPT	56	39,5	25,0	41	41	27,50	1193/21	GE28NPT1Lc3d	
	35	1 1/4NPT	62	40,5	25,6	46	50	40,50	1194/21	GE35NPT1 1/4Lc3d	
	42	1 1/2NPT	65	42	26,0	55	60	57,00	1195/21	GE42NPT1 1/2Lc3d	
S	6	1/4NPT	43	28	15,1	17	17	5,00	1196/21	GE6NPT1/4Sc3d	
	PN 630	8	1/4NPT	43	28	15,1	17	19	5,50	1197/21	GE8NPT1/4Sc3d
		10	1/4NPT	44	27,5	15,1	19	22	8,50	1198/21	GE10NPT1/4Sc3d
	10	3/8NPT	44	27,5	15,2	19	22	8,00	1199/21	GE10NPT3/8Sc3d	
	12	1/4NPT	46	29,5	15,1	22	24	9,50	1200/21	GE12NPT1/4Sc3d	
	12	3/8NPT	46	29,5	15,2	22	24	10,00	1201/21	GE12NPT3/8Sc3d	
	12	1/2NPT	51	34,5	19,8	22	24	12,50	1202/21	GE12NPT1/2Sc3d	
PN 400	16	1/2NPT	54	35,5	19,8	27	30	16,00	1204/21	GE16NPT1/2Sc3d	
	20	3/4NPT	59	37,5	20,1	32	36	25,00	1205/21	GE20NPT3/4Sc3d	
	25	1NPT	69	45	25,0	41	46	47,50	1206/21	GE25NPT1Sc3d	
	30	1 1/4NPT	73	46,5	25,6	46	50	62,00	1207/21	GE30NPT1 1/4Sc3d	
PN 315	38	1 1/2NPT	80	49	26,0	55	60	89,00	1208/21	GE38NPT1 1/2Sc3d	