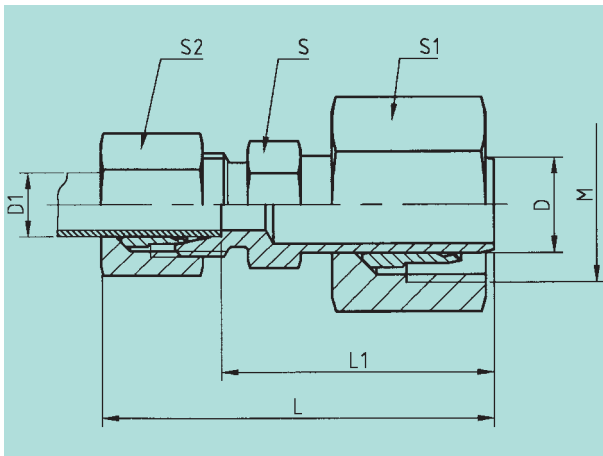


Reduzierschraubungen mit Schaft

Reduction couplings with shaft

arco



Reihe	D	D ₁	M	L	L ₁	S	S ₁	S ₂	Gewicht % in kg weight kg/100 pc	Sach.-Nr. comp. no.	Artikel-Nr. part. no.
series	D	D ₁	M	L	L ₁	S	S ₁	S ₂			
L PN 315	8	6	M14x1,5	40	26	12	17	14	4,10	1491/21	RA8/6Lc3d
	10	6	M16x1,5	42	28	14	19	14	5,00	1492/21	RA10/6Lc3d
	10	8	M16x1,5	43	28	14	19	17	5,80	1493/21	RA10/8Lc3d
	12	6	M18x1,5	42	28	17	22	14	6,00	1494/21	RA12/6Lc3d
	12	8	M18x1,5	43	28	14	22	17	6,80	1495/21	RA12/8Lc3d
	12	10	M18x1,5	44	29	14	22	19	8,00	1496/21	RA12/10Lc3d
	15	6	M22x1,5	44	29	19	27	14	8,60	1497/21	RA15/6Lc3d
	15	8	M22x1,5	44	29	19	27	17	9,90	1498/21	RA15/8Lc3d
	15	10	M22x1,5	45	30	19	27	19	10,10	1499/21	RA15/10Lc3d
	15	12	M22x1,5	45	30	19	27	22	10,90	1500/21	RA15/12Lc3d
PN 160	18	6	M26x1,5	46	31	19	32	14	11,50	1501/21	RA18/6Lc3d
	18	8	M26x1,5	46	31	19	32	17	12,30	1502/21	RA18/8Lc3d
	18	10	M26x1,5	47	32	19	32	19	13,20	1503/21	RA18/10Lc3d
	18	12	M26x1,5	47	32	19	32	22	13,50	1504/21	RA18/12Lc3d
	18	15	M26x1,5	49	33	24	32	27	15,90	1505/21	RA18/15Lc3d
	22	10	M30x2	49	34	24	36	19	19,00	1506/21	RA22/10Lc3d
	22	12	M30x2	49	34	24	36	22	19,20	1507/21	RA22/12Lc3d
	22	15	M30x2	51	35	24	36	27	20,70	1508/21	RA22/15Lc3d
	22	18	M30x2	52	35	27	36	32	22,90	1509/21	RA22/18Lc3d
PN 160	28	12	M36x2	50	34	30	41	22	26,50	1510/21	RA28/12Lc3d
	28	15	M36x2	52	35	30	41	27	27,90	1511/21	RA28/15Lc3d
	28	18	M36x2	53	36,5	30	41	32	30,80	1512/21	RA28/18Lc3d
	28	22	M36x2	57	36,5	30	41	36	34,40	1513/21	RA28/22Lc3d
	35	15	M45x2	58	40,5	36	50	27	44,00	1514/21	RA35/15Lc3d
	35	18	M45x2	58	40	36	50	32	45,30	1515/21	RA35/18Lc3d
	35	22	M45x2	62	42	36	50	36	45,70	1516/21	RA35/22Lc3d
	35	28	M45x2	63	42	36	50	41	46,50	1517/21	RA35/28Lc3d
	42	18	M52x2	60	42,5	46	60	32	66,50	1518/21	RA42/18Lc3d
	42	22	M52x2	62	44,5	46	60	36	66,70	1519/21	RA42/22Lc3d
	42	28	M52x2	62	44,5	46	60	41	66,90	1520/21	RA42/28Lc3d
	42	35	M52x2	66	43,5	46	60	50	71,90	1521/21	RA42/35Lc3d

Weitere Abmessungen auf Anfrage
Other sizes on request