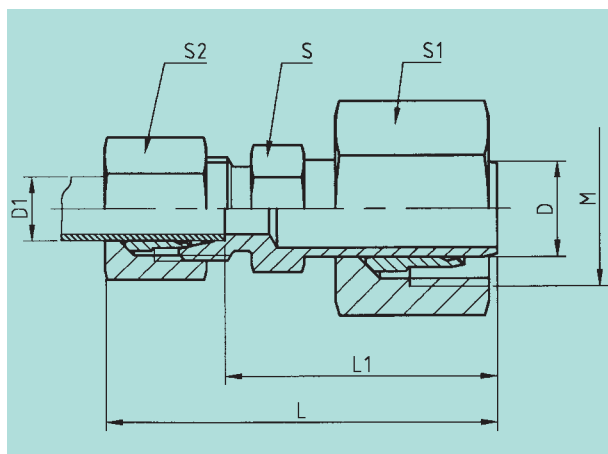


Reduzierschraubungen mit Schaft

Reduction couplings with shaft

arco



Reihe	D	D ₁	M	L	L ₁	S	S ₁	S ₂	Gewicht % in kg	Sach.-Nr.	Artikel-Nr.
series	D	D ₁	M	L	L ₁	S	S ₁	S ₂	weight kg/100 pc	comp. no.	part. no.
S PN 630	8	6	M16x1,5	44	28	14	19	17	6,10	1522/21	RA8/6Sc3d
	10	6	M18x1,5	46	31	17	22	17	7,10	1523/21	RA10/6Sc3d
	10	8	M18x1,5	46	31	17	22	19	7,80	1524/21	RA10/8Sc3d
	12	6	M20x1,5	48	33	17	24	17	8,70	1525/21	RA12/6Sc3d
	12	8	M20x1,5	48	33	17	24	19	9,60	1526/21	RA12/8Sc3d
	12	10	M20x1,5	49	32,5	19	24	22	10,40	1527/21	RA12/10Sc3d
PN 400	16	6	M24x1,5	54	39	17	30	17	14,10	1532/21	RA16/6Sc3d
	16	8	M24x1,5	54	39	17	30	19	14,60	1533/21	RA16/8Sc3d
	16	10	M24x1,5	55	39,5	19	30	22	14,90	1534/21	RA16/10Sc3d
	16	12	M24x1,5	55	39,5	22	30	24	16,10	1535/21	RA16/12Sc3d
	20	8	M30x2	59	43	22	36	19	22,40	1537/21	RA20/8Sc3d
	20	10	M30x2	60	42,5	22	36	22	22,90	1538/21	RA20/10Sc3d
	20	12	M30x2	60	42,5	22	36	24	23,50	1539/21	RA20/12Sc3d
	20	16	M30x2	63	43,5	24	36	30	26,40	1541/21	RA20/16Sc3d
	25	10	M36x2	64	47,5	27	46	22	39,40	1542/21	RA25/10Sc3d
	25	12	M36x2	64	47,5	27	46	24	40,20	1543/21	RA25/12Sc3d
	25	16	M36x2	67	48	27	46	30	43,10	1545/21	RA25/16Sc3d
	25	20	M36x2	72	48	32	46	36	45,20	1546/21	RA25/20Sc3d
PN 315	30	12	M42x2	69	51,5	32	50	24	52,60	1547/21	RA30/12Sc3d
	30	16	M42x2	72	52,5	32	50	30	54,60	1549/21	RA30/16Sc3d
	30	20	M42x2	76	52,5	32	50	36	57,50	1550/21	RA30/20Sc3d
	30	25	M42x2	79	53	41	50	46	68,80	1551/21	RA30/25Sc3d
	38	16	M52x2	77	57,5	41	60	30	74,70	1552/21	RA38/16Sc3d
	38	20	M52x2	81	57,5	41	60	36	80,10	1553/21	RA38/20Sc3d
	38	25	M52x2	84	58	41	60	46	91,80	1554/21	RA38/25Sc3d
	38	30	M52x2	86	58,5	46	60	50	99,10	1555/21	RA38/30Sc3d

Weitere Abmessungen auf Anfrage
Other sizes on request