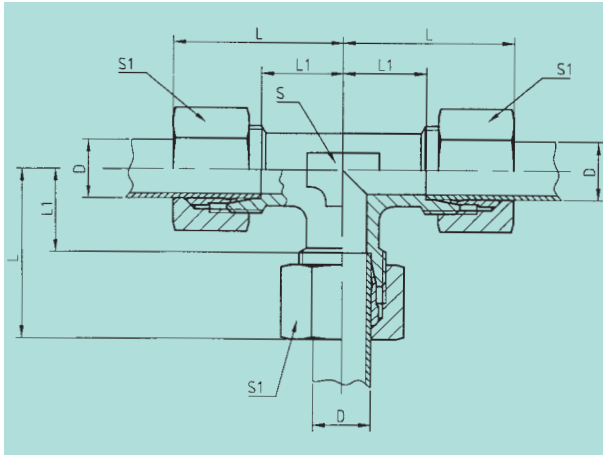


Equal tees



Reihe	D	L	L <sub>1</sub>	S	S <sub>1</sub>	Gewicht % in kg	Sach.-Nr.	Artikel-Nr.	
series	D	L	L <sub>1</sub>	S	S <sub>1</sub>	weight kg/100 pc	comp. no.	part. no.	
LL	4	21	11	9	10	2,80	1347/21	T4LLc3d	
PN 100	5	21	9,5	9	12	3,20	1348/21	T5LLc3d	
	6	21	9,5	9	12	3,40	1349/21	T6LLc3d	
	8	23	11,5	12	14	4,40	1350/21	T8LLc3d	
	L	6	27	12	12	14	6,10	41352/21	T6LHc3d
PN 315	8	29	14	12	17	8,30	41354/21	T8LHc3d	
	10	30	15	14	19	11,20	41356/21	T10LHc3d	
	12	32	17	17	22	14,40	41357/21	T12LHc3d	
	15	36	21	19	27	24,20	41358/21	T15LHc3d	
	18	40	23,5	24	32	35,30	41359/21	T18LHc3d	
PN 160	22	44	27,5	27	36	47,30	41360/21	T22LHc3d	
	28	47	30,5	36	41	73,70	1361/21	T28LHc3d	
	35	56	34,5	41	50	99,10	1362/21	T35LHc3d	
	42	63	40	50	60	148,40	1363/21	T42LHc3d	
S	6	31	16	12	17	10,60	1364/21	T6SHc3d	
	PN 630	8	32	17	14	19	13,30	1365/21	T8SHc3d
		10	34	17,5	17	22	18,10	1366/21	T10SHc3d
		12	38	21,5	17	24	23,40	1367/21	T12SHc3d
PN 400		16	43	24,5	24	30	38,70	1369/21	T16SHc3d
	20	48	26,5	27	36	59,00	1370/21	T20SHc3d	
	25	54	30	36	46	109,60	1371/21	T25SHc3d	
	30	62	35,5	41	50	141,30	1372/21	T30SHc3d	
PN 315	38	72	41	50	60	201,70	1373/21	T38SHc3d	