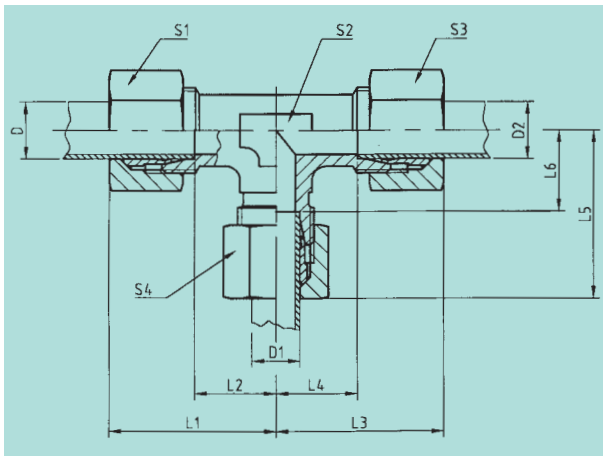


T-Reduzierschraubungen



Reduction tee couplings



Reihe	D	D ₁	D ₂	L ₁	L ₂	L ₃	L ₄	L ₅	L ₆	S ₁	S ₂	S ₃	S ₄	Gewicht % in kg weight kg/100 pc	Sach.-Nr. comp. no.	Artikel-Nr part. no.
series	D	D ₁	D ₂	L ₁	L ₂	L ₃	L ₄	L ₅	L ₆	S ₁	S ₂	S ₃	S ₄			
L	6	8	6	29	14	29	14	29	14	14	12	14	17	4,30	42944/21	TR6/8/6LHc3d
PN 315	8	6	8	29	14	29	14	29	14	17	12	17	14	4,40	42945/21	TR8/6/8LHc3d
	10	6	10	30	15	30	15	30	15	19	14	19	14	11,00	42946/21	TR10/6/10LHc3d
	10	8	10	30	15	30	15	30	15	19	14	19	17	11,20	42951/21	TR10/8/10LHc3d
	12	6	12	32	17	32	17	32	17	22	17	22	14	14,10	42947/21	TR12/6/12LHc3d
	12	8	12	32	17	32	17	32	17	22	17	22	17	14,00	42952/21	TR12/8/12LHc3d
	12	10	12	32	17	32	17	32	17	22	17	22	19	13,90	42954/21	TR12/10/12LHc3d
	15	6	15	36	21	36	21	36	21	27	19	27	14	19,40	42948/21	TR15/6/15LHc3d
	15	10	15	36	21	36	21	36	21	27	19	27	19	20,70	42955/21	TR15/10/15LHc3d
	15	12	15	36	21	36	21	36	21	27	19	27	22	21,10	42956/21	TR15/12/15LHc3d
	15	12	12	36	21	36	21	36	21	27	19	22	22	18,80	8027/21	TR15/12/12LHc3d
	15	15	12	36	21	36	21	36	21	27	19	22	27	21,10	51015/21	TR15/15/12LHc3d
	18	10	18	40	23,5	40	23,5	39	24	32	24	32	19	29,70	8891/21	TR18/10/18LHc3d
	18	12	18	40	23,5	40	23,5	39	24	32	24	32	22	29,70	8886/21	TR18/12/18LHc3d
	18	15	18	40	23,5	40	23,5	39	24	32	24	32	27	31,60	2060/21	TR18/15/18LHc3d
	18	10	10	40	23,5	39	24	39	24	32	24	19	19	25,90	8939/21	TR18/10/10LHc3d
	18	18	15	40	23,5	39	24	40	23,5	32	24	27	32	31,50	51016/21	TR18/18/15LHc3d
PN 160	22	10	22	44	27,5	44	27,5	43	28	36	27	36	19	39,10	51017/21	TR22/10/22LHc3d
	22	12	22	44	27,5	44	27,5	43	28	36	27	36	22	39,00	9770/21	TR22/12/22LHc3d
	22	15	22	44	27,5	44	27,5	43	28	36	27	36	27	41,00	8724/21	TR22/15/22LHc3d
	22	22	18	44	27,5	44	27,5	44	27,5	36	27	32	36	43,70	51018/21	TR22/22/18LHc3d
	28	22	28	47	30,5	47	30,5	47	30,5	41	36	41	36	55,80	9772/21	TR28/22/28LHc3d
	28	28	12	47	30,5	46	31	47	30,5	41	36	22	41	54,20	51019/21	TR28/28/12LHc3d
S	12	10	12	38	21,5	38	21,5	38	21,5	24	17	24	22	26,00	51020/21	TR12/10/12SHc3d
PN 630																
PN 400	12	16	12	42	25,5	42	25,5	43	24,5	24	24	24	30	32,80	9224/21	TR12/16/12SHc3d
	16	12	16	43	24,5	43	24,5	42	25,5	30	24	30	24	36,00	51021/21	TR16/12/16SHc3d
	20	12	20	48	26,5	48	26,5	46	29,5	36	27	36	24	53,90	51022/21	TR20/12/20SHc3d
	20	25	20	53	31,5	53	31,5	54	30	36	36	36	46	93,90	51023/21	TR20/25/20SHc3d

Weitere Abmessungen auf Anfrage
Other sizes on request