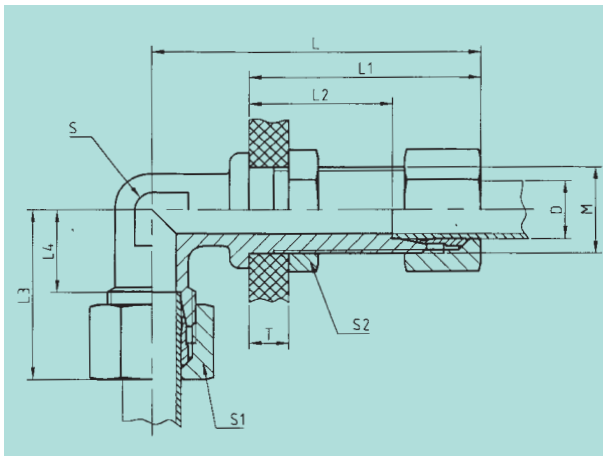


Winkel-Schottverschraubungen



Elbow bulkhead couplings



T = Maximale Schottdicke 16 mm / T = maximum bulkhead wall thickness 16 mm

Reihe	D	M	L	L ₁	L ₂	L ₃	L ₄	S	S ₁	S ₂	Gewicht % in kg weight kg/100 pc	Sach.-Nr. comp. no.	Artikel-Nr. part. no.
series	D	M	L	L ₁	L ₂	L ₃	L ₄	S	S ₁	S ₂			
L	6	M12x1,5	56	42	27	27	12	12	14	17	6,70	41418/21	WS6LHc3d
PN 315	8	M14x1,5	59	42	27	29	14	12	17	19	9,90	41419/21	WS8LHc3d
	10	M16x1,5	61	43	28	30	15	14	19	22	13,50	41421/21	WS10LHc3d
	12	M18x1,5	64	44	29	32	17	17	22	24	18,70	41423/21	WS12LHc3d
	15	M22x1,5	69	46	31	36	21	19	27	30	27,30	41424/21	WS15LHc3d
	18	M26x1,5	79	49	32,5	40	23,5	24	32	36	37,20	41426/21	WS18LHc3d
PN 160	22	M30x2	81	51	34,5	44	27,5	27	36	41	46,50	41427/21	WS22LHc3d
	28	M36x2	86	52	35,5	47	30,5	36	41	46	64,00	1428/21	WS28LHc3d
	35	M45x2	97	58	36,5	56	34,5	41	50	55	99,40	1429/21	WS35LHc3d
	42	M52x2	102	59	36	63	40	50	60	65	156,30	1430/21	WS42LHc3d
S	6	M14x1,5	61	44	29	31	16	12	17	19	9,60	1431/21	WS6SHc3d
PN 630	8	M16x1,5	62	44	29	32	17	14	19	22	12,40	1432/21	WS8SHc3d
	10	M18x1,5	66	46	29,5	34	17,5	17	22	24	18,10	1433/21	WS10SHc3d
	12	M20x1,5	68	47	30,5	38	21,5	17	24	27	22,50	1434/21	WS12SHc3d
PN 400	16	M24x1,5	74	50	31,5	43	24,5	24	30	32	36,50	1436/21	WS16SHc3d
	20	M30x2	91	55	33,5	48	26,5	27	36	41	58,00	1437/21	WS20SHc3d
	25	M36x2	93	59	35	54	30	36	46	46	100,00	1438/21	WS25SHc3d
	30	M42x2	103	64	37,5	62	35,5	41	50	50	112,20	1439/21	WS30SHc3d
PN 315	38	M52x2	111	68	37	72	41	50	60	65	175,80	1440/21	WS38SHc3d