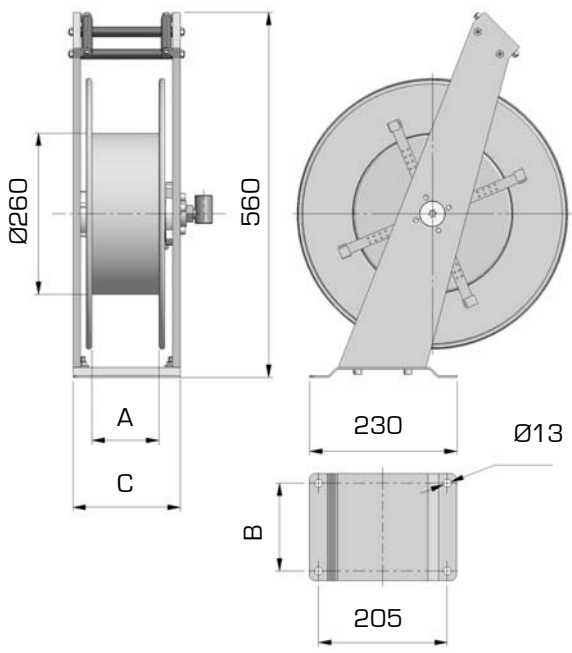
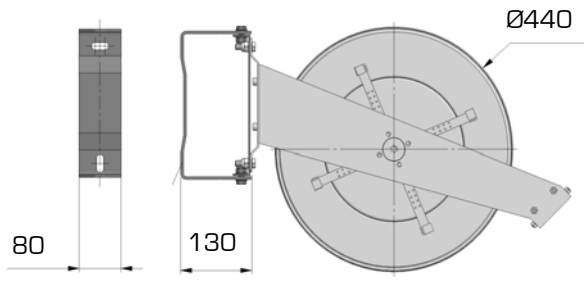


141.1

**STAFFA GIREVOLE (OPZIONALE)
SWIVEL BRACKET (OPTIONAL)**



	MODELLO MODEL	A	B	C	Tubo / Hose			Staffa girevole Swivel bracket
					tipo type	Ø	m	Tipo Type
ARIA OLIO GASOLIO	9001	120	142	180	1SN	1/4	15	9075
					2SN			
					I21			
AIR OIL DIESEL-OIL	9002	150	180	210	1SN	1/4	20	9076
					2SN			
					I21			
AIR OIL DIESEL-OIL	9003	120	142	180	1SN	3/8	15	9075
					2SN			
					I21			
ACCIAIO VERNICIATO	9004	150	180	210	1SN	3/8	20	9076
					2SN			
					I21			
ACCIAIO VERNICIATO	9005	120	142	180	1SN	1/2	10	9075
					2SN			
					I21			
PAINTED STEEL	9006	150	180	210	1SN	1/2	20	9076
					2SN			
					I21			
400 bar 40°C	9007	120	142	180	1SN	5/16	15	9075
					2SN			
					I21			
400 bar 40°C	9008	150	180	210	1SN	5/16	20	9076
					2SN			
					I21			
GRASSO GREASE	9009	120	142	180	2SN	1/4	15	9075
							20	9076
400 bar	9010	150	180	210				
ACQUA WATER ACCIAIO INOX STAINLESS STEEL	9011	120	142	180	I21	3/8	15	9077
	9012	150	180	210		3/8	20	9078
	9013	120	142	180		1/2	10	9077
	9014	150	180	210		1/2	20	9078
	9015	120	142	180		5/16	15	9077
	9016	150	180	210		5/16	20	9078