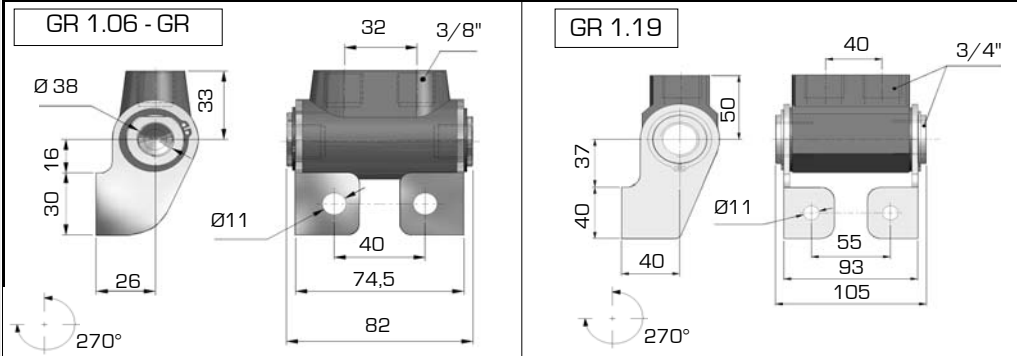
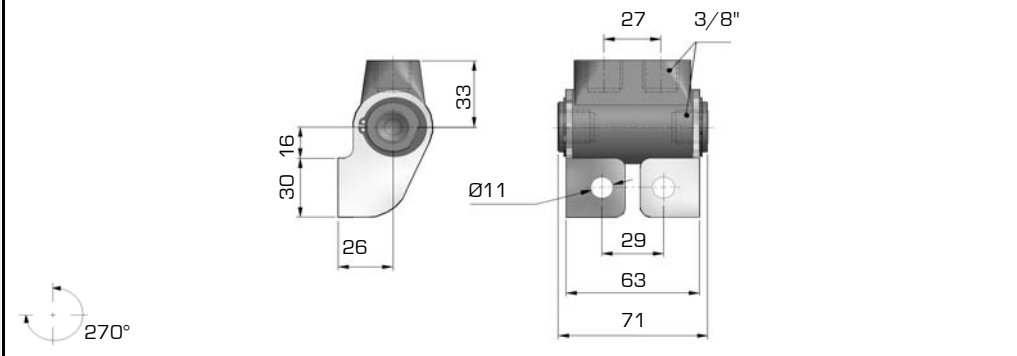


141.1

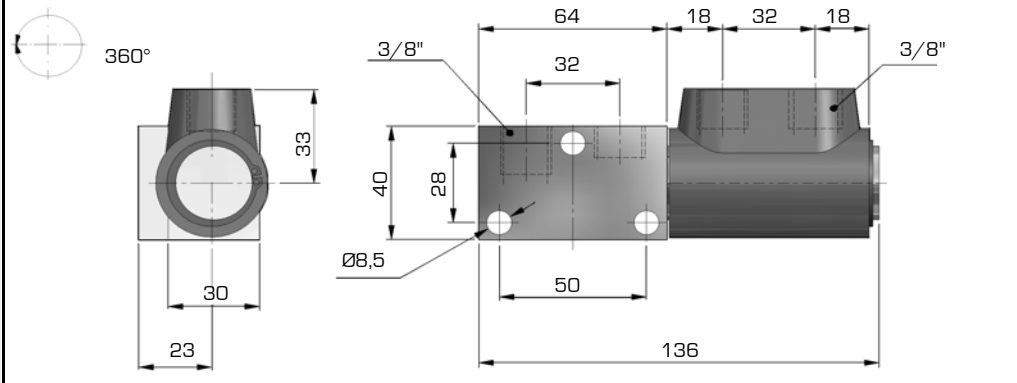
Pressione d'esercizio max - Max Working pressure
240 bar - 24 Mpa



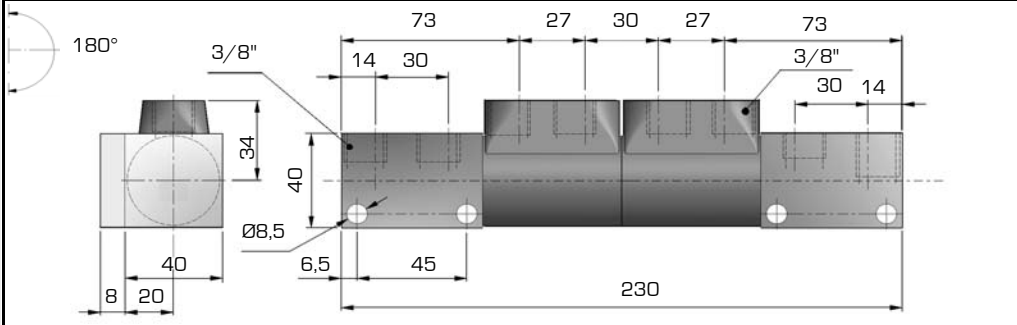
MODELLO	VIE
MODEL	PORT
GR 1.06	2x1/4"
GR 1.10	2x3/8"
GR 1.19	2x3/4"



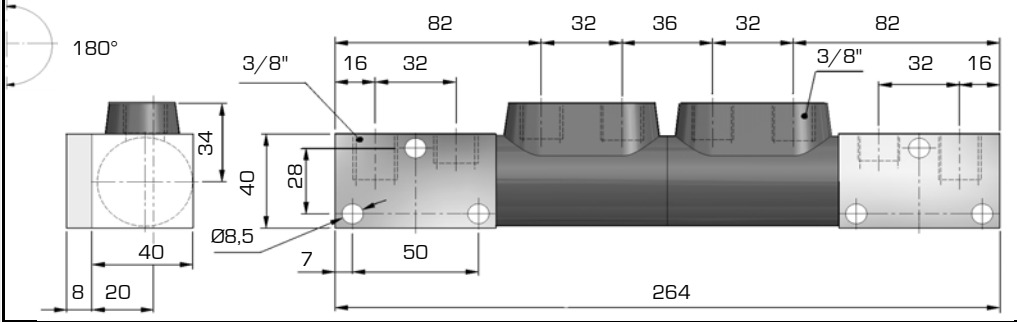
GR 5.06	2x1/4"
GR 5.10	2x3/8"



GR 2.10	2x3/8"
---------	--------



GR 4.10	4x3/8"
---------	--------



GR 4.12	4x3/8"
---------	--------